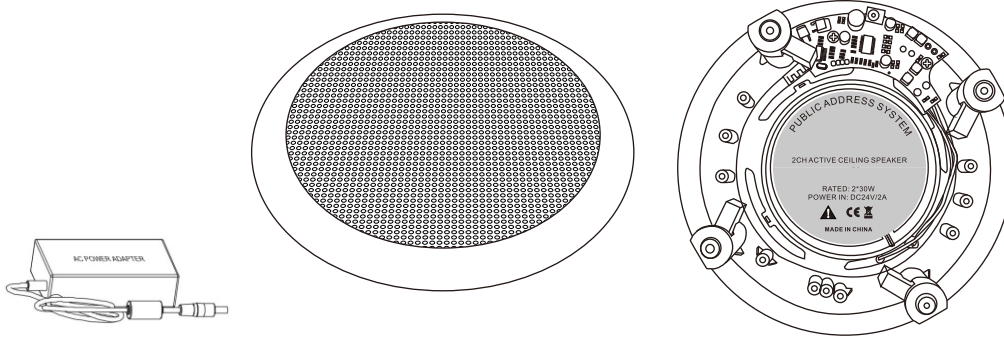


## 2CH BLUETOOTH CEILING SPEAKER 2\*30W FYC-23BL



### Contents:

- Active master speaker..... 1
- Passive slave speaker..... 1
- Manual ..... 1
- Power adapter..... 1

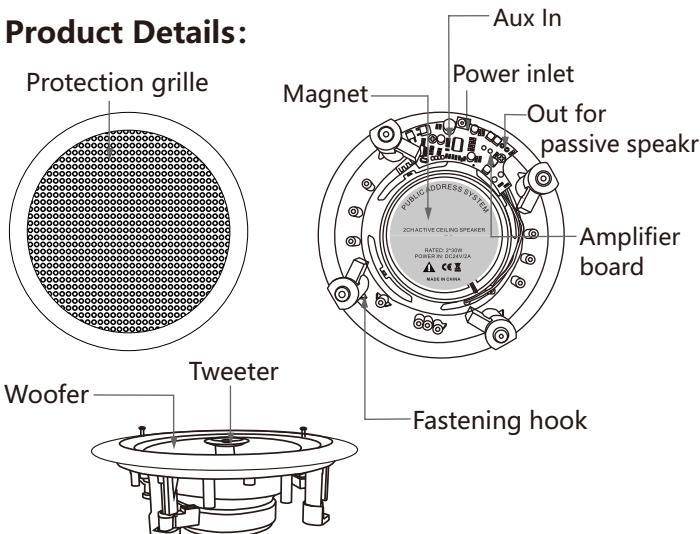
### Specifications:

Frequency Response: 90Hz-20KHz (±3dB) ;  
 THD: <0.05% at 1kHz, 1/3 rated power;  
 S/N: >70dB;  
 Protocols: HFPV1.5, A2DPV1.2, AVRCPV1.4,  
 HSP1.2, GAVDP1.2, IOP;  
 Amplifier: 2\*30W  
 Speaker driver: woofer 6"\*1 + tweeter 1"\*1;  
 Installation: in ceiling;  
 Finish : white; baffle & Enclosure: ABS resin,  
 grille & mounting hardware steel alloy;  
 Power supply: DC24V 2A with AC adapter.  
 Dimension: Φ230\*90mm;  
 Cutting hole: Φ200mm;  
 Net weight: 1.60kg.

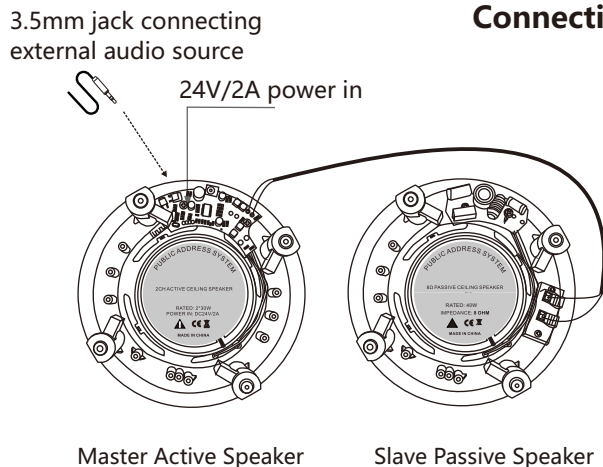
### Features:

- Solution of stereo wireless Bluetooth transmission, the adoption of BK8000L BEKEN chip module with high-quality sound quality and compatibility;
- DC24V/2A power supply with AC adapter;
- Bluetooth transmission distance 10 meters;
- One Aux Input for connecting external audio source;
- Digital Class D amplifier with output 2\*30W;
- 2-way coaxial system;
- Frame-mounted dog-ear hook providing secure, low-noise connections and easy installation;
- Attractive color ABS resin finish with white grille suits any decor.

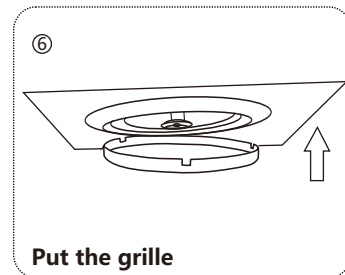
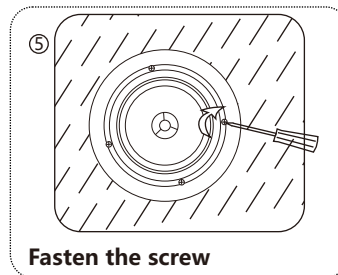
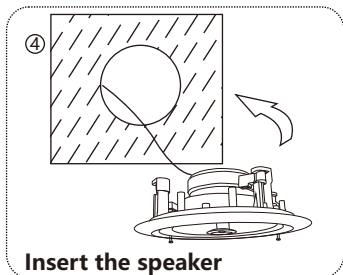
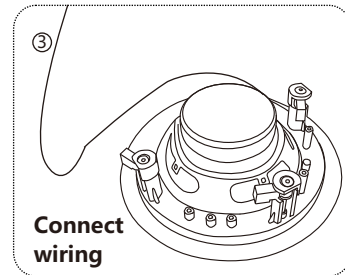
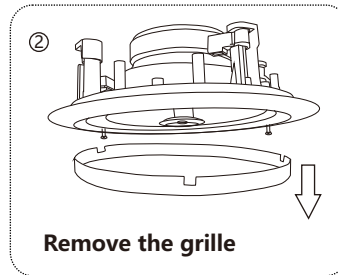
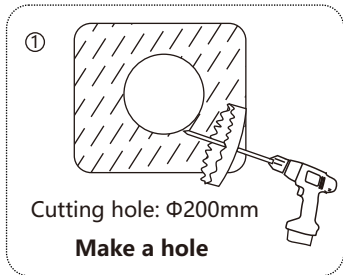
### Product Details:



### Connection:



## Installation:



## BT Operations:

\*Note: The BT name of this speaker is **"BGM SYSTEM"**

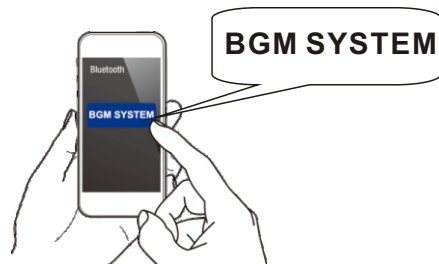
In order to enjoy music from a BT device on this speaker, the BT device must first be paired with this speaker.

Once the BT device has been paired, it does not need to be paired again.

1. Activate the BT settings on your mobile device.



2. Select this unit **"BGM SYSTEM"** when its name appears in the list of devices displayed on the screen of your mobile device.  
Perform the connection with your mobile device close to the unit (about 1 m).  
At the end of the pairing, the name **"BGM SYSTEM"** appears on the paired list of your mobile device.



\*Note: Enter **"1688"** when the password is requested on the screen of the your mobile device.

3. Play music using any app on your mobile device.

\* The next time the input source is switched to BT, this speaker automatically connects to the last BT device that was connected.

