

Mixer Amplifier 60W/120W/240W/350W/500W FY-E60/FY-E120/FY-E240/FY-E350/FY-E500



🔊 Descriptions & Features

The Series of 2U Rack-mount Mixer Amplifiers are designed for background music/paging and public address system installations, these units are exceptional values, and are easy to install in a variety of system designs.

The mixer amplifiers feature three balanced mic. inputs and two line inputs, 60/120/240/350/500 watts of amplifier power are available with either 70/100-volt or 4 to 16 ohms(Ω) loads.

Also included a balanced line level output for adding additional power amplifiers.

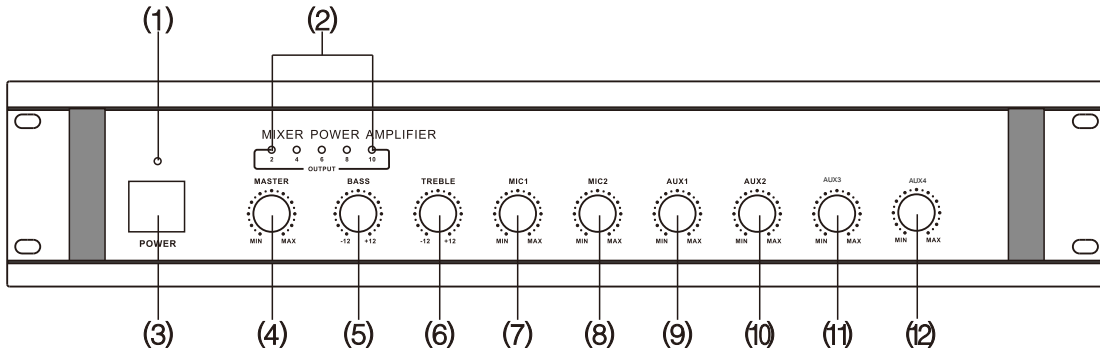
The unit also features muting function that MIC1 overrides MIC2, AUX1, AUX2, AUX 3, AUX4 with 0~30dB dB attenuation.

And features complete protection is provided for output short circuit, overload, high temperature, peak current limiters.

Widely used for any kind of public areas such as shops, supermarkets, schools, churches, stations, hotels etc.

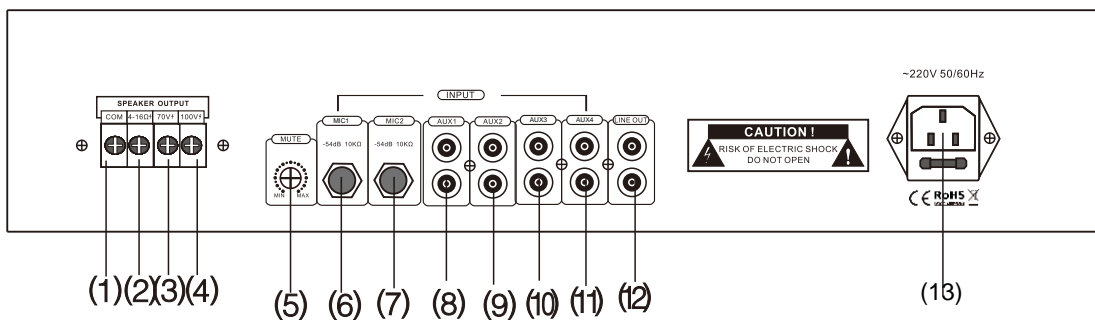
- ※ **Power rates: 60W/120W/240W/350W/500W available.**
- ※ Aluminium alloy panel with standard 19" 2U height.
- ※ TOSHIBA amplifier transistors.
- ※ 100% pure copper toroidal transformers.
- ※ 70V/100V and 4~16 Ω loads.
- ※ 2 MIC inputs, 4 LINE inputs, 1 LINE output.
- ※ Individual volume controller for MIC & AUX inputs.
- ※ MASTER volume controller.
- ※ BASS and TREBLE tone controller.
- ※ MIC1 has priority over other inputs.
- ※ Protections of short circuit, overload, high temperature.
- ※ Individual LED indicator for POWER/SIGNAL/PROTECTION.

Front Panel



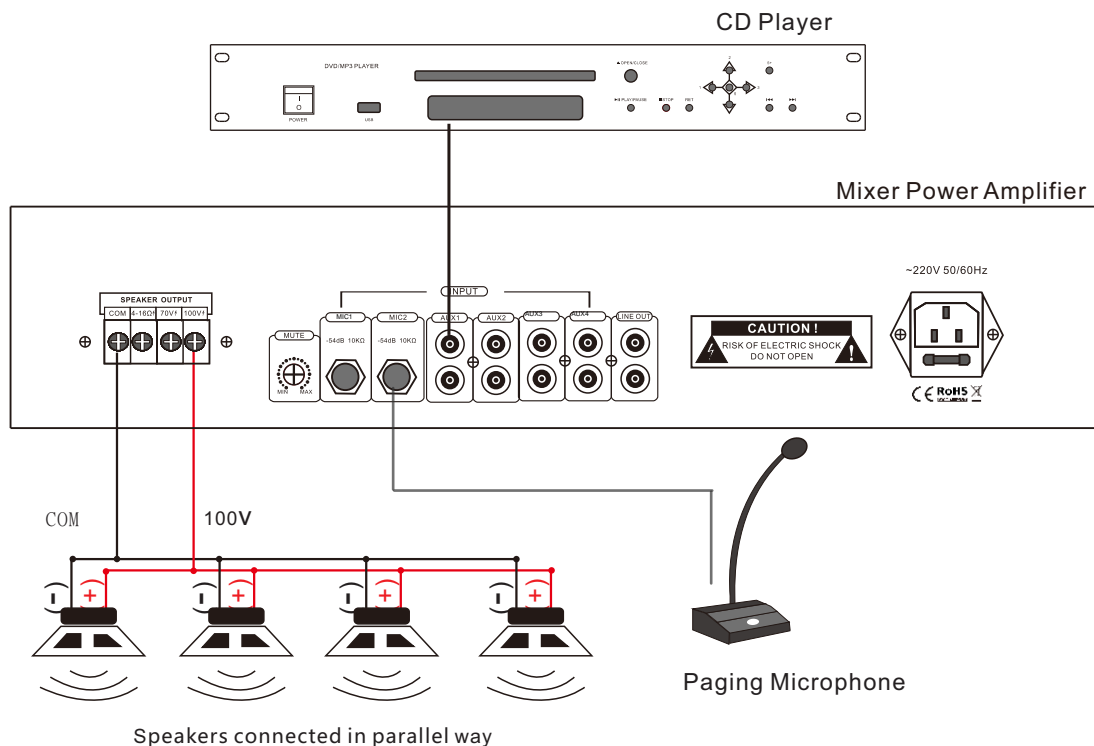
- | | | |
|---------------------|----------------------|--------------------|
| (1) Power Indicator | (2) Signal Indicator | (3) Power Switch |
| (4) Master Volume | (5) Bass Control | (6) Treble Control |
| (7) MIC1 Volume | (8) MIC2 Volume | (9) AUX1 Volume |
| (10) AUX2 Volume | (11) AUX3 Volume | (12) AUX4 Volume |

Rear Panel



- | | | |
|-------------------|------------------------------|---------------------|
| (1) COM Terminal | (2) 4-16 Ω Terminal | (3) 70V Terminal |
| (4) 100V Terminal | (5) Mute Sensitivity Control | (6) MIC1 Input |
| (7) MIC2 Input | (8) AUX1 Input | (9) AUX2 Input |
| (10) AUX3 Input | (11) AUX4 Input | (12) AUX Output |
| | | (13) AC Power Inlet |

Connection Illustration



Specifications

| Model | FY-E60 | FY-E120 | FY-E240 | FY-E350 | FY-E500 |
|------------------|---|--|---------------------|---------------------|---------------------|
| Rated Power | 60W | 120W | 240W | 350W | 500W |
| Output Terminals | Low impedance:4-16 ohms(Ω) | | | | |
| | 60W | Voltage line:70V(70 ohms(Ω)) 100V(143 ohms(Ω)) | | | |
| | 120W | Voltage line:70V(38 ohms(Ω)) 100V(77 ohms(Ω)) | | | |
| | 240W | Voltage line:70V(19 ohms(Ω)) 100V(39 ohms(Ω)) | | | |
| | 350W | Voltage line:70V(14 ohms(Ω)) 100V(28 ohms(Ω)) | | | |
| | 500W | Voltage line:70V(10 ohms(Ω)) 100V(20 ohms(Ω)) | | | |
| MIC. Input | MIC1/MIC2:600 ohms(Ω) 10-15 mV ,unbalanced | | | | |
| LINE Input | AUX1/AUX2/AUX3/AUX4:10k ohms(Ω) 200-470 mV ,unbalanced | | | | |
| AUX Output | 0.775V (0 dB) | | | | |
| Freq. Response | 60 Hz ~ 15k Hz (\pm 3 dB) | | | | |
| THD | <0.5% at 1kHz,1/3 of rated power | | | | |
| S/N | Line:85 dB , MIC:>72 dB | | | | |
| Tone | BASS:100 Hz (\pm 10 dB) , TREBLE:12k Hz (\pm 10 dB) | | | | |
| Mute Sensitivity | MIC1 overrides MIC2,AUX1,AUX2,AUX3,AUX4with 0~30 dB attenuation | | | | |
| Controls | Volume controls,tone/treble control,mute control,power control | | | | |
| Cooling Fan | DC 12V FAN | | | | |
| Indicator | AC: 'POWER' ,level: '2、4、6、8、10' | | | | |
| Protection | AC FUSE \times 4A | AC FUSE \times 4A | AC FUSE \times 6A | AC FUSE \times 6A | AC FUSE \times 8A |
| | AC FUSE \times 1,short circuit,overload,high temperature | | | | |
| Power Cord | (3 \times 0.75 mm ²) \times 1.5M (standard) | | | | |
| AC Power | AC110V~120V, AC220V~240V 50-60Hz optional | | | | |
| Consumption | 95W | 175W | 350W | 485W | 675W |
| Dimension | 89(H) \times 483(W) \times 366(D) mm | | | | |
| Packing Size | 185(H) \times 520(W) \times 435(D) mm | | | | |
| Net Weight | 10.04kg | 11.36kg | 13.68kg | 14.08kg | 15.58Kg |
| Gross Weight | 11.72kg | 13.02kg | 15.32kg | 15.7kg | 17.2Kg |