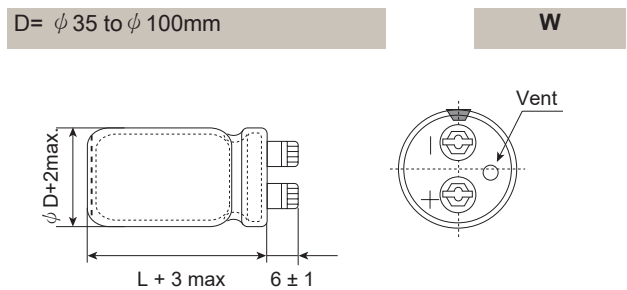
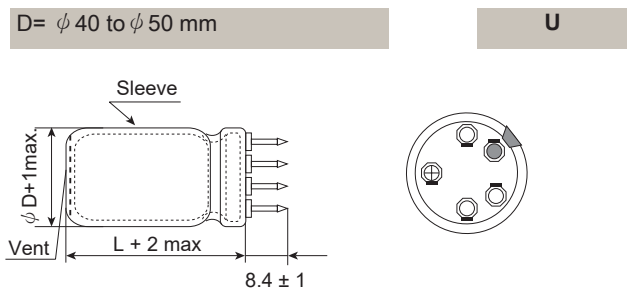
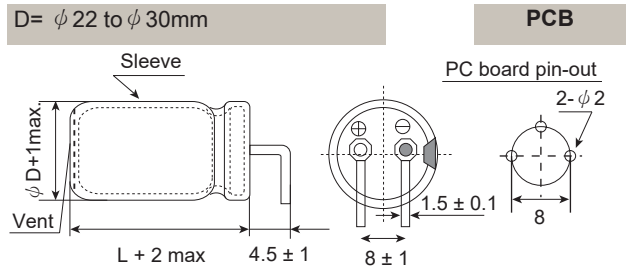
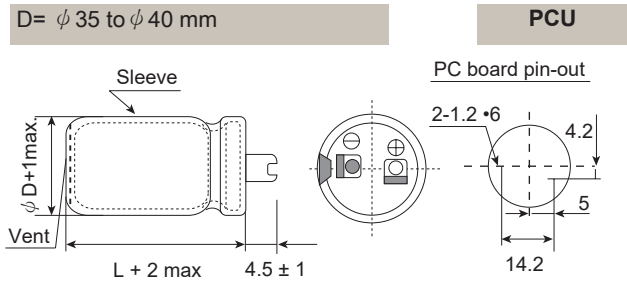
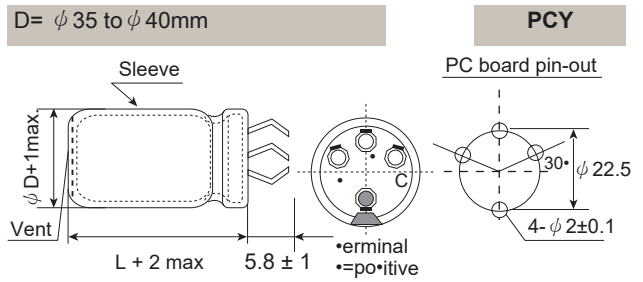
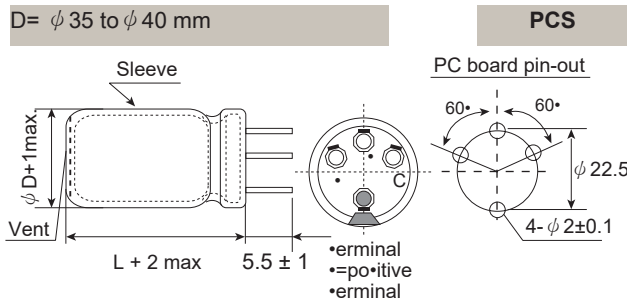
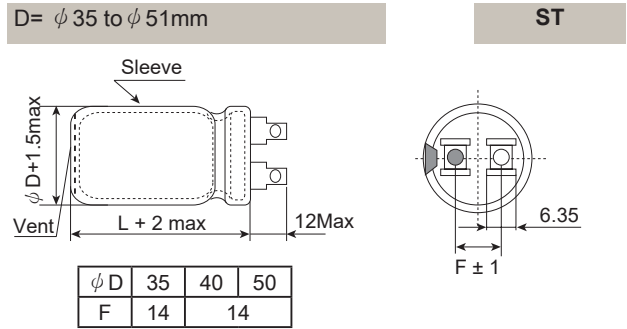
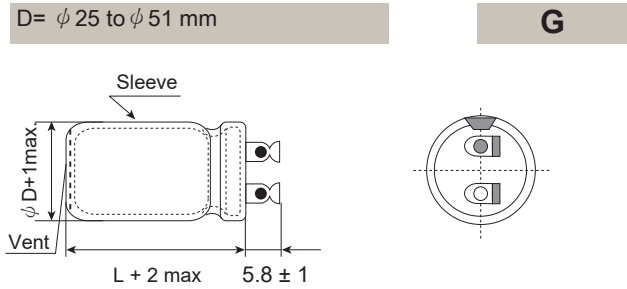
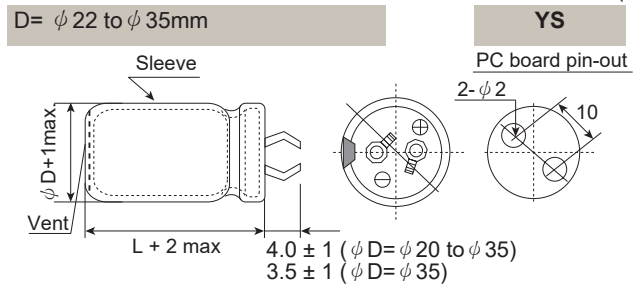
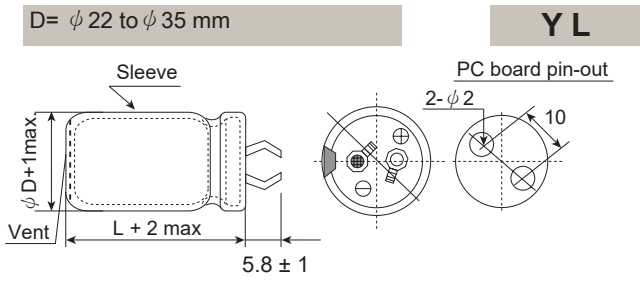


Terminals Diagram for Capacitors

(mm)



CAUTION :

- Use the blank terminals for mechanical support only.
- The blank terminals must not be connected any copper on PC board.
- Be sure to electrically isolate from negative the positive terminals.