



融

RONG

融，意融通，融合通达也。

“凡智者，必善融众人之力为己所用。”

融，亦可谓融远，即长远、永久之意。

“凡贤者，必思深远之谋。”

In Chinese “RONG” means harmonious, happy and everlasting.

Wise men know how to harmonize the power to achieve things and always have a sustainable strategy for their career prospects.

融
RONG

01
02

“我们第一款自主研发的办公皮椅，必须有时下办公空间的流行元素，同时又经得起时间的推敲。外观倾向柔美轮廓曲线设计，目的是为了完美与办公空间搭配中的线条感融合。椅子自身的弧度设计必须紧贴身体各部位，时刻为用户减轻工作疲劳，让用户更轻易融入整体工作氛围。”

——欧莱“融”系列班椅因由而生

“Our first own design executive chair must have the elements of modern art of office furniture, and be able to stand the test of time. The soft and beautiful external appearance design would help to harmonize with the office space, as well as the body spine curved in a natural S-shape.”

——The design intentions of RONG chair

FASCINATION RONG

融, 浑然天成的艺术品, 精美绝伦
RONG Exquisite Beyond Compare

外观设计呈S形柔美曲线, 在头枕和下腰部设计出支撑
曲面, 赋予靠背别具一格的弧线美与灵动感。与人体线
条相吻合, 让后背每寸肌肉都得到合理的承托, 尽显舒
适与时尚唯美。

The pure beauty of S-shape design with functional
headrest helps you maintain a natural and healthy
sitting posture and keep you comfortable all day.



EXQUISITE
ELEGANCE

压铸一体成形铝合金装饰条, 彰显王者风范, 演绎出低调的奢华。

Unique die-cast aluminium alloy backbone with fine polish makes RONG become extraordinarily regal.

融
RONG

05
06



ERGONOMIC ENERGY

可调节头枕 (4cm升降调节)
Height-adjustable headrest (±4cm)



07
08

融
RONG

流线型扶手, 独特的向下式斜坡设计, 当用户向后
倾仰时, 手臂随着扶手与椅子整体移动, 维持身体
平衡且有助放松手臂肌肉, 令双手呈自然放松状态
(最大倾仰幅度119°)。

Streamlined armrests with downward sloping
angle help to relax your arms and shoulders, as
well as to keep your body balance while reclining
(the largest back-tilt angle 119°).





09
10



融
RONG

瀑布式座沿设计,有助于用户在后仰时释放大腿下部肌肉压力,促进下肢血液循环。

The edge of seat, designed as 'waterfall' style, can help to open up thigh-calf angle and stretch your hip and knee simultaneously while reclining, and eventually encouraging your lower part's blood circulation.

CREATIVE COMFORT

融
RONG



融者，能力与大智慧，融众人之力为已所用。
May wisdom and resourcefulness be with you.





融
RONG

精选美国进口牛皮，牛皮衔接处均为手工缝制。独特的波浪型
线车花设计，体现丰富的时尚元素。

Each RONG chair is hand-crafted by our professional
craftspeople with selected high quality U.S. import leather
and decorated with a wavy line.



高亮的电镀弓形脚配合充满动感线条美的扶手与金属搭配, 给人以无与伦比的雅致之感, 装饰会议或接待空间的时尚气息。

RONG with a shiny chrome cantilever base makes an elegant side chair for guest or conference use.



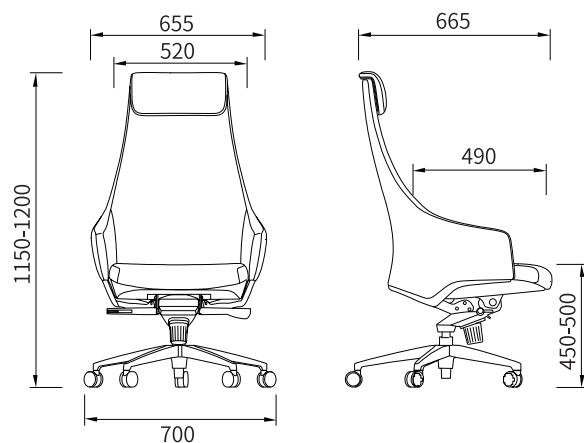
MODEL 型号

DIMENSIONS(MM) 尺寸(毫米)

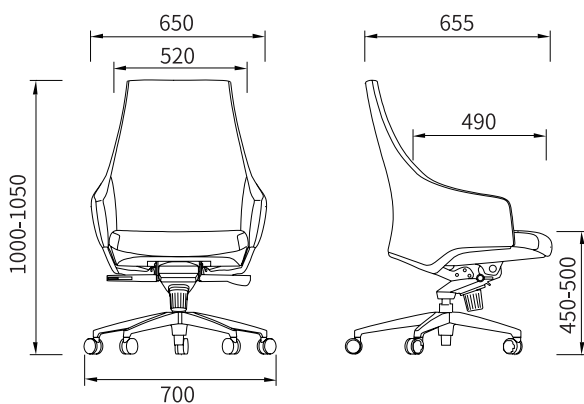
COLORS 颜色

其中PW代表真皮 K代表西皮
PW for leather, K for PU

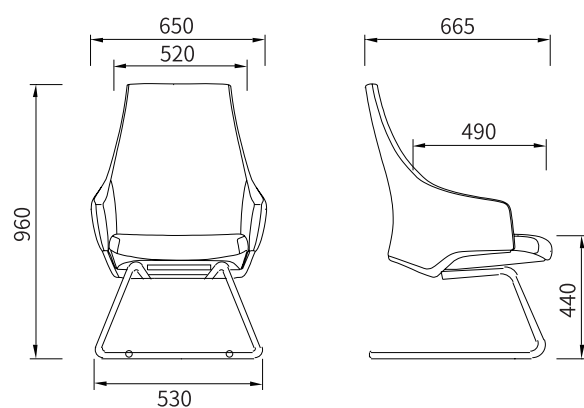
AR-C106-H



AR-C106-M



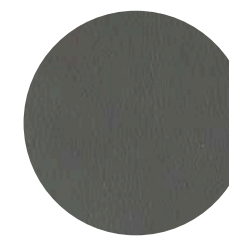
AR-C106-V



PW 真皮



黑色 Black
PW 8616#



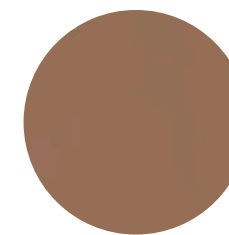
碳灰 Charcoal Grey
PW 8628#



浅灰 Light Grey
PW 906#



深棕 Dark Brown
PW 6812#

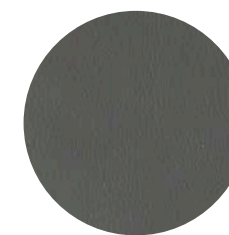


浅棕 Light Brown
PW 8615#

K 西皮



黑色 Black
K 61-5



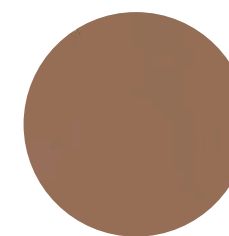
碳灰 Charcoal Grey
K 61-3



浅灰 Light Grey
K 61-1



深棕 Dark Brown
K 61-4



浅棕 Light Brown
K 61-2

Materials 材料

美国进口牛皮, 高密度聚氨酯定型回弹海绵头枕、椅背、扶手和座垫, 五档锁定同步倾仰底盘, 韩国三弘气压升降, 精抛光铝合金压铸成型五星脚(或电镀弓形脚架), 尼龙脚轮。

U.S. import leather upholstery, Moulded polyurethane foam, Synchronized tilt mechanism (five-position lock), SHS gas spring, Polished aluminum alloy base (Chrome steel cantilever for side chair), Polyamide (nylon) castor.



雅

TM chair



A simple truth. Discover the shape of chair.
返璞归正, 探寻座椅的本质。



01
02

雅, 是欧莱于2018年全新推出的一款办公皮椅系列。自然朴实的造型, 符合人体脊椎的立体弧度椅背设计, 即迎合大众化市场, 同时也能满足现代办公空间的装饰需求。

YA chair, launched in 2018, is purposely designed for mass market with its austere appearance. In addition to an ergonomic stereo backrest which can provide a prolonged comfortable sitting experience. YA chair is accessible and appropriate to most of the modern office environments.



FASCINATION ERGONOMIC

05
06



外观设计简雅灵动, 清晰利落的弧线感加以极致精湛的工艺, 尽显整体高雅时尚之美。可实现最大倾仰幅度112°。

YA chair with elegantly clean and simple appearance design, performs the pinnacle of elegant modern design with gentle curves on the chair's backrest in aesthetics. The largest back-tilt angle 112°.

雅
YA chair



EXQUISITE
ELEGANCE



07
08

雅
YA chair



淡雅的奢华，配以精巧弓形脚，恰到好处地点缀会议空间，体现其独有的韵味。

YA side chair for guest or conference use displays fine and consistent design without appearing flashy.

INSPIRATION ORIGINALITY

线条简练有型，圆角自然流畅，曲与直、刚与柔的感觉在此刻完美融合。精致的铝合金饱满圆润使整张椅子充满时尚感，大量直线条的应用，使椅子稍显稳重，带有商务气息。

We use a lot of straight lines and metallic materials to make the chair look more dignified and modern, in order to create a true atmosphere of commercial environment.



09
10



雅
YA chair

CREATIVE COMFORT



独特的回形设计铝合金扶手与富于光泽感的皮革协调搭配, 展现现代办公生活的独特品味, 体现现代办公空间的高雅魅力。

YA chair reflects a stylish life quality in workplaces with its unique fretting armrest design which is upholstered by matched color leather.

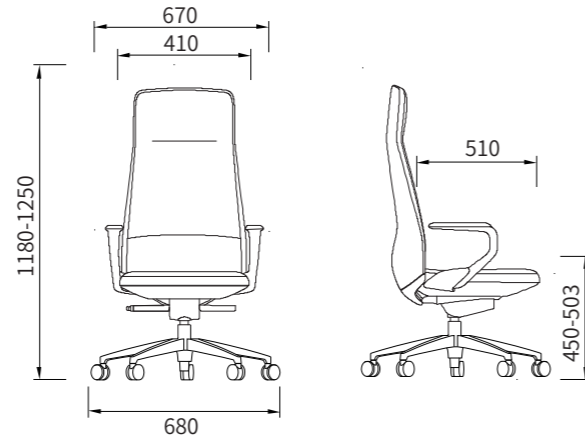
MODEL 型号

DIMENSIONS(MM) 尺寸(毫米)

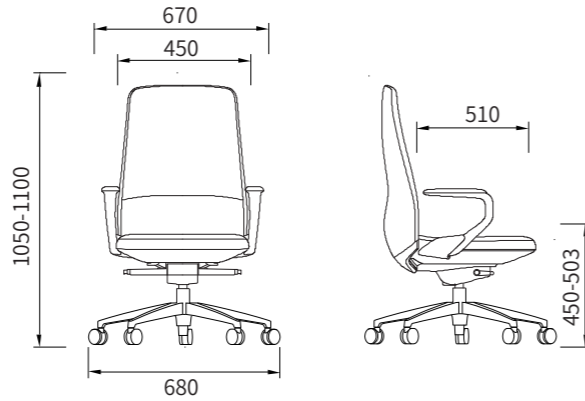
COLORS 颜色

其中 PW 代表真皮 K代表 西皮
PW for leather, K for PU

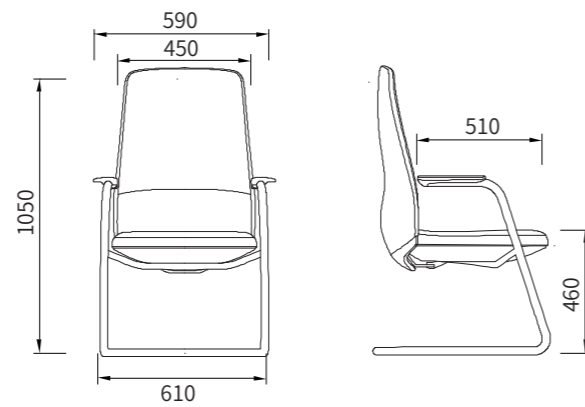
AR-C1802-H



AR-C1802-M



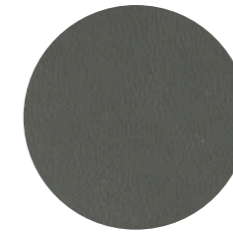
AR-C1802-V



PW 真皮



黑色 Black
PW 8616#



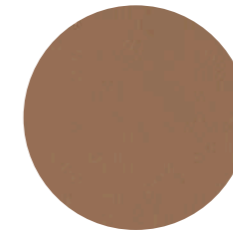
碳灰 Charcoal Grey
PW 8628#



浅灰 Light Grey
PW 906#



深棕 Dark Brown
PW 6812#

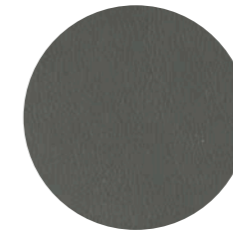


浅棕 Light Brown
PW 8615#

K 西皮



黑色 Black
K 61-5



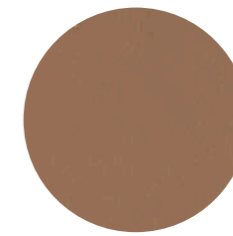
碳灰 Charcoal Grey
K 61-3



浅灰 Light Grey
K 61-1



深棕 Dark Brown
K 61-4



浅棕 Light Brown
K 61-2

Materials 材料

美国进口头层牛皮, 高密度聚氨酯定型回弹海绵头枕、椅背、座垫, 意大利DONATI五档锁定同步倾仰底盘, 韩国三弘气压升降, 精抛光铝合金压铸成型扶手和五星脚(或电镀弓形脚架), 尼龙脚轮。

U.S. import top-grain leather upholstery, Moulded polyurethane foam, Italy DONATI synchronized tilt mechanism (5-position lock), SHS gas spring, Polished aluminum alloy armrest and base (Chrome steel cantilever for side chair), Polyamide (nylon) castor.