



# SMD Power Inductors - K U P0504 Series

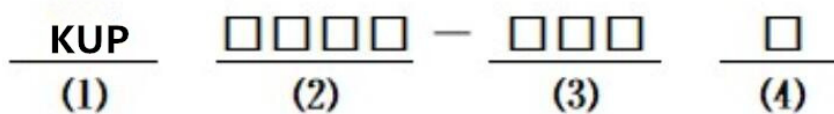
## ■ Features

- High current Type.
- Ferrite bobbin core and compact size.
- Low core loss for high frequency power application.
- Large terminal surface for good PCB bonding.
- Operating temperature:  $-40^{\circ}\text{C} \sim +125^{\circ}\text{C}$ .

## ■ Applications

- Portable communication equipment.
- Notebook PC, digital camera, LCD television set.
- Power supply for VTR, OA equipment.
- DC/DC converters.

## ■ Product Identification



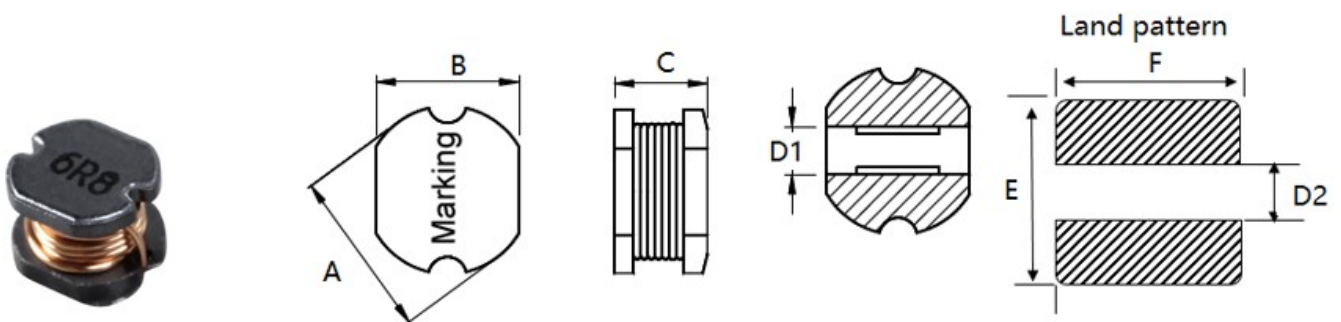
(1) : Type

(2) : Dimensions

(3) : Inductance value

(4): Inductance Tolerance: N=±30%, M=±20%, L=±15%, K=±10%

## ■ Shapes and Dimensions (Unit: mm)



TYPE	A	B	C	D1 Ref.	D2 Ref.	E Ref.	F Ref.
KUP0504	5.8±0.3	5.2±0.3	4.5±0.3	1.5	1.7	6.0	5.5



# SMD Power Inductors

## - K U P0504 Series

### ■ KUP0504 Series

Part Number	Inductance ( $\mu$ H)	L Test Frequency (KHz)	Max.DC Resistance ( $\Omega$ )	Max.Rated Current (A)
KUP0504-1R0□	1.00	100	0.015	5.90
KUP0504-1R2□	1.20	100	0.020	5.20
KUP0504-1R5□	1.50	100	0.025	4.70
KUP0504-1R8□	1.80	100	0.030	4.00
KUP0504-2R2□	2.20	100	0.035	3.80
KUP0504-2R7□	2.70	100	0.040	3.40
KUP0504-3R3□	3.30	100	0.045	3.30
KUP0504-3R9□	3.90	100	0.050	2.90
KUP0504-4R7□	4.70	100	0.060	2.80
KUP0504-5R6□	5.60	100	0.070	2.40
KUP0504-6R8□	6.80	100	0.080	2.10
KUP0504-8R2□	8.20	100	0.090	2.00
KUP0504-100□	10.0	100	0.100	1.44
KUP0504-120□	12.0	100	0.120	1.40
KUP0504-150□	15.0	100	0.140	1.30
KUP0504-180□	18.0	100	0.150	1.23
KUP0504-220□	22.0	100	0.180	1.11
KUP0504-270□	27.0	100	0.200	0.97
KUP0504-330□	33.0	100	0.230	0.88
KUP0504-390□	39.0	100	0.320	0.80
KUP0504-470□	47.0	100	0.370	0.72
KUP0504-560□	56.0	100	0.420	0.68
KUP0504-680□	68.0	100	0.460	0.61



# SMD Power Inductors

## - K U P0504 Series

### ■ KUP0504 Series

Part Number	Inductance ( $\mu$ H)	L Test Frequency (KHz)	Max.DC Resistance ( $\Omega$ )	Max.Rated Current (A)
KUP0504-820□	82.0	100	0.600	0.58
KUP0504-101□	100	100	0.700	0.52
KUP0504-121□	120	100	0.930	0.48
KUP0504-151□	150	100	1.100	0.40
KUP0504-181□	180	100	1.380	0.38
KUP0504-221□	220	100	1.570	0.35
KUP0504-271□	270	100	1.650	0.32
KUP0504-331□	330	100	1.700	0.28
KUP0504-391□	390	100	1.800	0.26
KUP0504-471□	470	100	2.300	0.23
KUP0504-561□	560	100	2.500	0.20
KUP0504-681□	680	100	3.000	0.19
KUP0504-821□	820	100	4.500	0.16
KUP0504-102□	1000	100	4.800	0.14

- ※ The saturation current value is the DC current value having inductance decrease down to 30%.(at 20°C)
- ※ The temperature rise current value is the DC current value having temperature increase up to 40°C. (at 20°C)
- ※ The rated current is the DC current value that satisfies both of current value saturation current value and temperature rise current value.



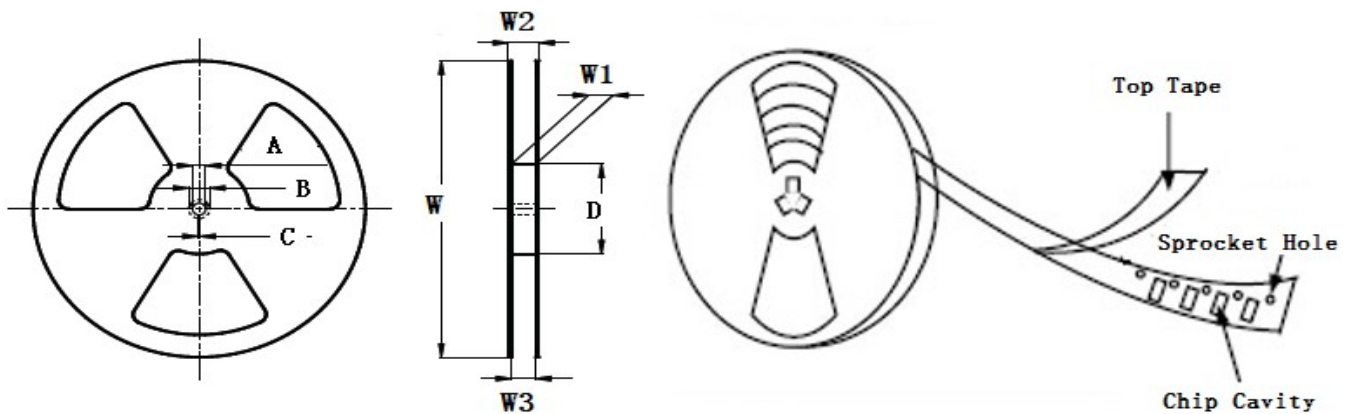
# SMD Power Inductors - K U P0504 Series

## ■ Taping Dimensions(Unit:mm)



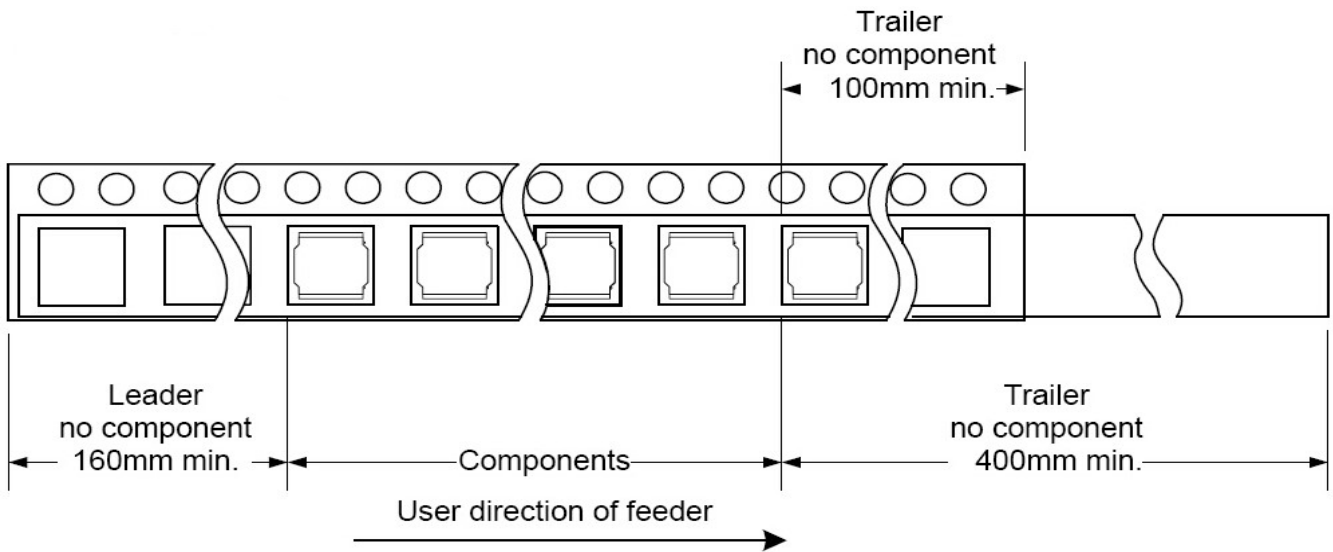
TYPE	W	A	B	C	D	E	P	K Ref	T	MPQ
KUP0504	12±0.3	5.20±0.1	6.40±0.1	4.75	5.5±0.1	4.55±0.1	8.0±0.1	4.75	0.40±0.05	1500

## ■ Reel Dimensions(Unit:mm)



TYPE	W	W1	W2	W3	A	B	C	D
KUP0504	330±2.0	12.8±1.50	18.4MAX	11.9 Min	13.0±0.50	21.0±0.80	2.0±0.50	100 Min

**Direction of rolling**



**Cover tape peel off condition**



Cover tape peel force shall be 0.1N to 1.3N.

Reference peel speed  $300 \pm 10$  mm/min.