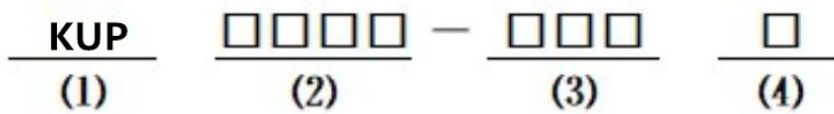




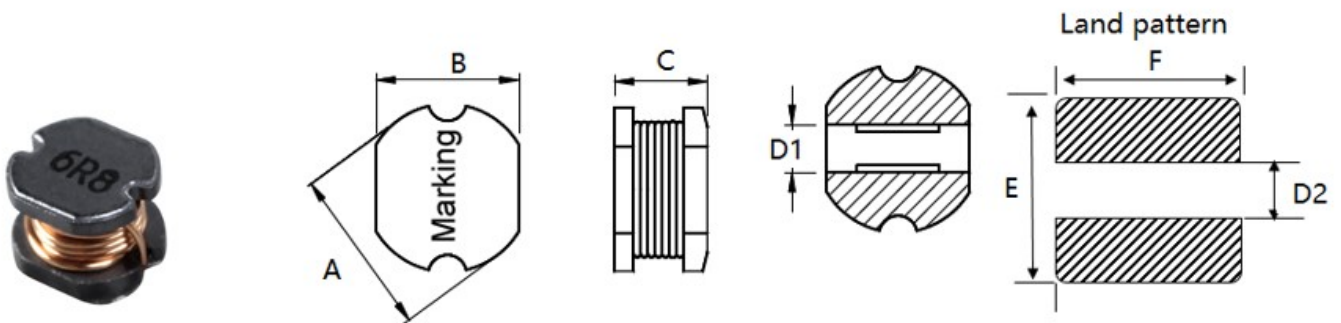
SMD Power Inductors

- K U P0403 Series



- (1) : Type
- (2) : Dimensions
- (3) : Inductance value
- (4): Inductance Tolerance: N=±30%,M=±20%, L=±15%, K=±10%

■ Shapes and Dimensions (Unit: mm)



TKUPE	A	B	C	D1 Ref.	D2 Ref.	E Ref.	F Ref.
KUP0403	4.5±0.3	4.0±0.3	3.2±0.3	1.4	1.5	5.0	4.5



■ KUP0403 Series

Part Number	Inductance (μ H)	L Test Frequency (KHz)	Max.DC Resistance (Ω)	Max.Rated Current (A)
KUP0403-1R0□	1.00	100	0.033	3.80
KUP0403-1R5□	1.50	100	0.038	3.30
KUP0403-1R8□	1.80	100	0.042	2.91
KUP0403-2R2□	2.20	100	0.047	2.60
KUP0403-2R7□	2.70	100	0.052	2.43
KUP0403-3R3□	3.30	100	0.058	2.15
KUP0403-3R9□	3.90	100	0.076	1.98
KUP0403-4R7□	4.70	100	0.094	1.70
KUP0403-5R6□	5.60	100	0.101	1.60
KUP0403-6R8□	6.80	100	0.117	1.41
KUP0403-8R2□	8.20	100	0.132	1.26
KUP0403-100□	10.0	100	0.182	1.15
KUP0403-120□	12.0	100	0.210	1.05
KUP0403-150□	15.0	100	0.235	0.92
KUP0403-180□	18.0	100	0.338	0.84
KUP0403-220□	22.0	100	0.378	0.76
KUP0403-270□	27.0	100	0.522	0.71
KUP0403-330□	33.0	100	0.540	0.64
KUP0403-390□	39.0	100	0.587	0.59
KUP0403-470□	47.0	100	0.844	0.54
KUP0403-560□	56.0	100	0.937	0.50
KUP0403-680□	68.0	100	1.117	0.46
KUP0403-820□	82.0	100	1.345	0.45

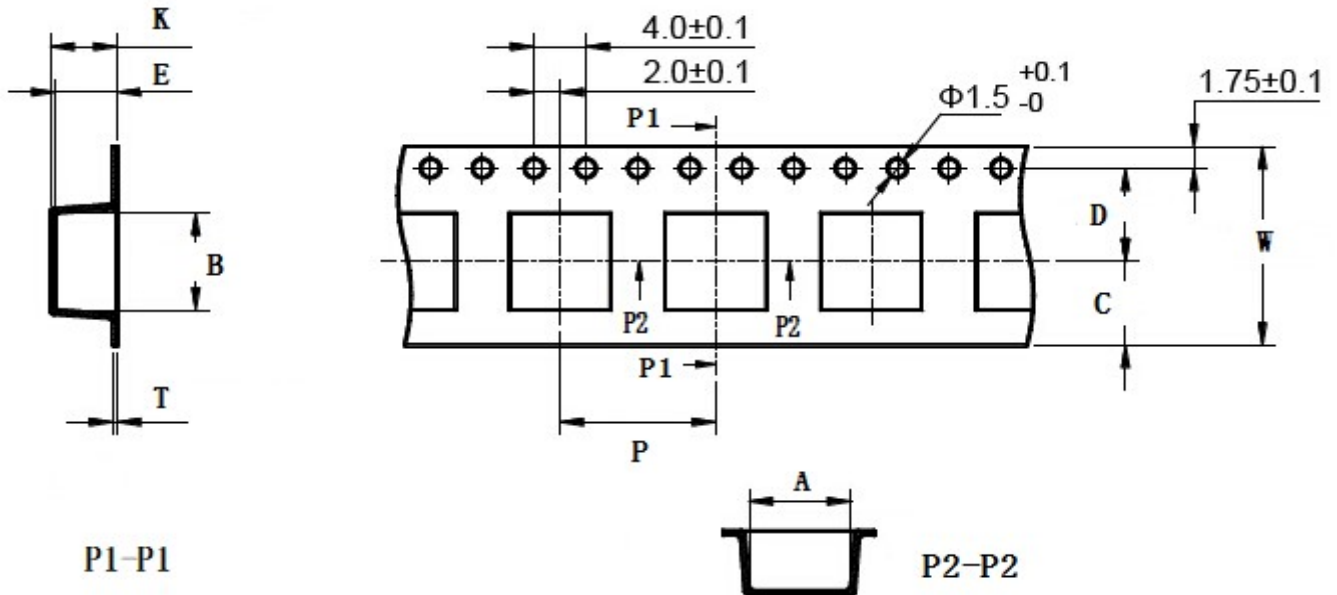


■ KUP0403 Series

Part Number	Inductance (uH)	L Test Frequency (KHz)	Max.DC Resistance (Ω)	Max.Rated Current (A)
KUP0403-101□	100	100	1.520	0.44
KUP0403-121□	120	100	1.800	0.43
KUP0403-151□	150	100	2.000	0.42
KUP0403-181□	180	100	3.200	0.38
KUP0403-221□	220	100	3.400	0.36
KUP0403-271□	270	100	3.900	0.34
KUP0403-331□	330	100	5.300	0.28
KUP0403-391□	390	100	5.900	0.24
KUP0403-471□	470	100	6.800	0.21
KUP0403-561□	560	100	8.500	0.20
KUP0403-681□	680	100	10.000	0.18
KUP0403-821□	820	100	13.400	0.15
KUP0403-102□	1000	100	15.600	0.14

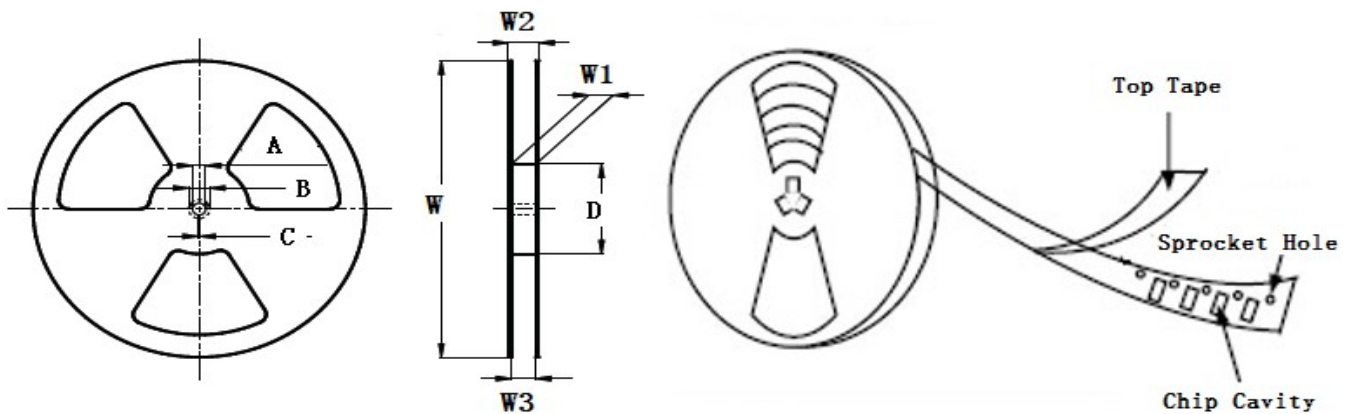
- ※ The saturation current value is the DC current value having inductance decrease down to 30%.(at 20°C)
- ※ The temperature rise current value is the DC current value having temperature increase up to 40°C. (at 20°C)
- ※ The rated current is the DC current value that satisfies both of current value saturation current value and temperature rise current value.

Taping Dimensions(Unit:mm)



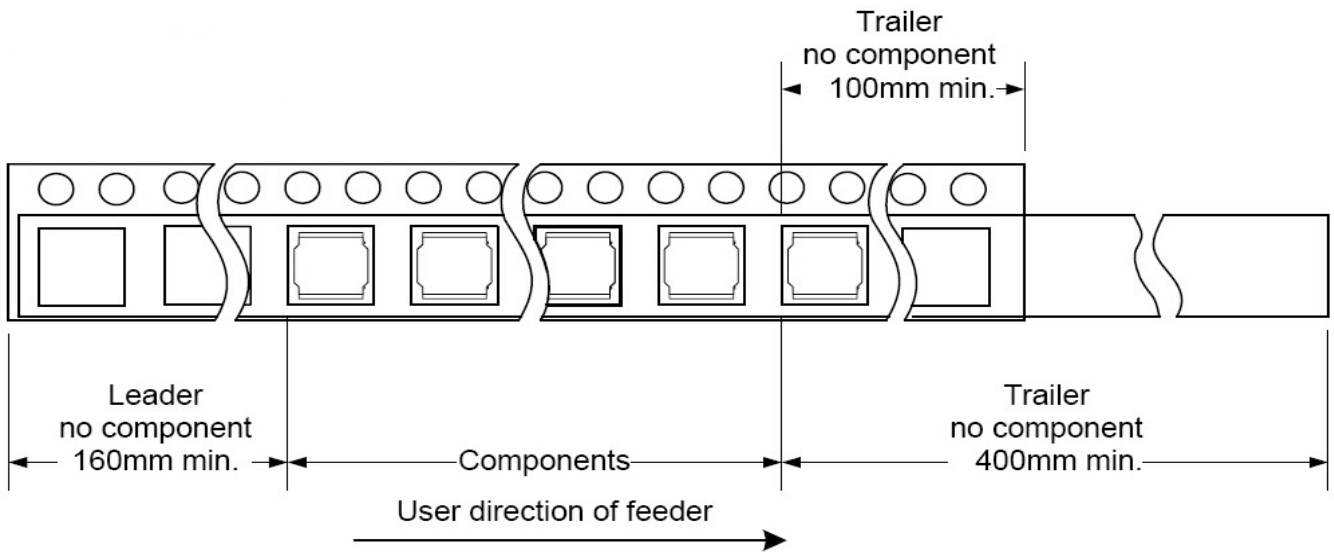
TKUPE	W	A	B	C	D	E	P	K Ref	T	MPQ
KUP0403	12±0.3	4.20±0.1	5.15±0.1	4.75	5.5±0.1	3.40±0.1	8.0±0.1	3.6	0.35±0.05	2000

Reel Dimensions(Unit:mm)



TKUPE	W	W1	W2	W3	A	B	C	D
KUP0403	330±2.0	12.8±1.50	18.4MAX	11.9 Min	13.0±0.50	21.0±0.80	2.0±0.50	100 Min

Direction of rolling



Cover tape peel off condition



Cover tape peel force shall be 0.1N to 1.3N.

Reference peel speed 300 ± 10 mm/min.