






## Electromotive 2/2-way angle seat valve (ON/OFF)

- Safety position via energy storage
- Rapid flow shut off
- Weather and impact resistant design
- Hygienically designed surface
- Versatile diagnostic options

Product variants described in the data sheet may differ from the product presentation and description.

### Can be combined with

	<b>Type 3360</b> Electromotive 2-way angle seat control valve	▶
	<b>Type 3361</b> Electromotive 2-way globe control valve	▶
	<b>Type 3321</b> Electromotive 2/2-way globe valve (ON/OFF)	▶

### Type description

The innovative Bürkert on/off valve Type 3320 is the solution when it comes to shut-off tasks under demanding operating conditions. The electromotive actuator of the angle seat valve with ball screw moves the swivel plate at a particularly high rate up to 6 mm/s to the desired end position. Thereby it reacts almost instantaneously to process signals. If necessary, the safety position can be approached by an optional energy storage in case of power failure.

The electromotive actuator and shut-off valve are adapted perfectly to each other with closed design and robust surface. This ensures the hygienic requirements of fast and residue-free cleaning.

Harsh ambient conditions are no problem for the electromotive angle seat valve Type 3320 due to the protection class IP65/IP67 and the high impact and vibration insensitivity. Thanks to the tried-and-tested, self-adjusting packing gland with exchangeable V-seals, the angle seat valve achieves maximum service life and tightness.

The fieldbus-suitable Type 3320 shut-off valve offers the operator many helpful functions for process monitoring, valve diagnostics and preventive maintenance and therefore the decisive advantage of modern process automation.

## Table of contents

<b>1. General technical data</b>	<b>3</b>
<b>2. Approvals</b>	<b>4</b>
<b>3. Materials</b>	<b>5</b>
3.1. Bürkert resistApp .....	5
3.2. Material specifications .....	5
<b>4. Dimensions</b>	<b>6</b>
4.1. Actuator .....	6
AG2 .....	6
AG3 .....	8
4.2. Body with threaded connection .....	10
4.3. Body with welded connection .....	11
4.4. Body with clamp connection .....	12
<b>5. Performance specifications</b>	<b>13</b>
5.1. Fluidic data .....	13
Overview of flow characteristics with flow below seat .....	13
5.2. Operating limits .....	14
Operating limits for medium temperature and operating pressure .....	14
Operating limits for ambient and medium temperature .....	15
Operating limits for seat seal .....	16
Operating limits for optional versions .....	16
5.3. Electrical control and interfaces .....	16
Interface diagram .....	16
<b>6. Product design and assembly</b>	<b>17</b>
6.1. Product features .....	17
6.2. Product assembly .....	19
AG2 .....	19
AG3 .....	20
<b>7. Ordering information</b>	<b>20</b>
7.1. Bürkert eShop .....	20
7.2. Bürkert product filter .....	20
7.3. Ordering chart accessories .....	21
Standard accessories .....	21
Accessories cable .....	21
Bürkert accessories .....	21
7.4. Bürkert Product Enquiry Form .....	21

## 1. General technical data

### Note:

- AG2: Actuator size 2 with a nominal force of 1300 or 2500 N for seat size 15...50
- AG3: Actuator size 3 with a nominal force of 7700 or 10000 N for seat size 40...80









Product properties	
Dimensions	Further information can be found in chapter "4. Dimensions" on page 6.
Material	Further information can be found in chapter "3. Materials" on page 5.
Design	Angle seat on/off valve
Nominal diameter	DN 15...80, NPS ½...3
Safety setting in case of power failure	With SAFEPOS energy-pack: open, closed or freely programmable Without SAFEPOS energy-pack: blocked in last position
Flow direction	Against closing direction (below seat)
Weight	Actuator depending on version up to: AG2: 5.5 kg AG3: 16 kg (Total weight including valve body depending on port connection)
Performance data	
Operating pressure	0...25 bar(g) (see "5.1. Fluidic data" on page 13) Vacuum version up to -0.9 bar(g) (optional)
Nominal pressure	PN 25 (DIN EN 1333), Class 150 (DIN EN 1759)
K <sub>v</sub> value	5.0...140 m³/h (see "5.1. Fluidic data" on page 13)
Closing time <sup>1)</sup>	AG2: 2.3...6.6 s AG3: 8.7 s (Depending on travel speed, stroke and operating conditions)
Travel speed <sup>1)</sup>	6 mm/s (for AG2 actuator force 1300 N) 4 mm/s (for AG2 actuator force 2500 N) 3 mm/s (for AG3 actuator load 7700 N and 10000 N) (Depending on operating conditions)
Electrical data	
Operating voltage	24 V DC ± 10 % (max. residual ripple 10 %)
Operating current <sup>1)</sup>	AG2: Max. 3 A (at max. load and including 1 A charging current of the optional SAFEPOS energy-pack). At minimum operating temperature additionally 2 A AG3: Max. 5 A (at max. load and including charging current of the optional SAFEPOS energy-pack). At minimum operating temperature additionally 6 A
Protection class (DIN EN 61140)	3
Duty cycle	100 %
Standby consumption <sup>1)</sup>	2...4 W
Communication and control	
Standard signals (analogue)	0...5 V (log. 0) 10...30 V (log. 1)
Fieldbus (digital)	Bürkert system bus (bÜS) (Standard) CANopen (optional) EtherNet/IP, PROFINET, Modbus/TCP (optional via integrated gateway)
Media data	
Process medium	Steam, neutral gases, water, alcohols, oils, fuels, hydraulic fluids, salt solutions, lyes, organic solvents, oxygen (optional)
Medium temperature	-40...+230 °C (see "5.2. Operating limits" on page 14)
Viscosity	Up to 600 mm²/s
Process/Port connection & communication	
Port connection <sup>2)</sup>	
Welded connection	DIN EN ISO 1127/ISO 4200/DIN11866 B DIN 11850 2/DIN 11866 A ASME BPE/DIN 11866 C SMS 3008
Clamp connection	DIN 32676 B (pipe ISO 4200) DIN 32676 A (pipe DIN 11850 2) ASME BPE
Threaded connection	G (EN ISO 228-1) Rc (ISO 7/1/DIN EN 10226-2) NPT (ASME B 1.20.1)

<b>Electrical connection</b>	
Actuator	Terminal strip with cable gland, 2 x M20 (only AG2) or 2 M12 circular plugs, 5-pin and 8-pin
Fieldbus gateway	2 M12 circular sockets, 4-pin (only with Industrial Ethernet)
<b>Approvals and certificates</b>	
Conformity	Food EGV 1935/2004 FDA (optional)
Approval	Explosion protection ATEX/IECEX (optional) (see "2. Approvals" on page 4) cULus Cert. No. 238179 (optional) (only AG2) (see "2. Approvals" on page 4)
Ignition protection class	II 3G Ex ec IIC T4 Gc II 3D Ex tc IIIC T135 °C Dc
Detergent resistance	According to Ecolab test method: R&D/P3-E No. 40 - 1
<b>Environment and installation</b>	
Ambient temperature	-25...+65 °C (only without additional modules) (De-rating see "Operating limits for ambient and medium temperature" on page 15)
Degree of protection	IP65/IP67 (DIN EN 60529), NEMA 4X (only AG2)
Installation position	Any, preferably actuator face up

1.) All values refer to a supply voltage of 24 V at 25 °C.

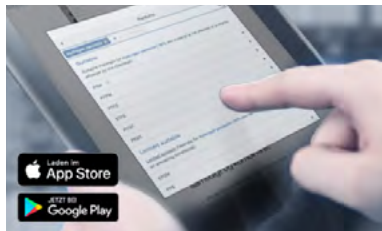
2.) Others on request

## 2. Approvals

Approvals/ Conformity/ Certificate <sup>1,2)</sup>	Description
	<b>Food produce contact</b> Materials in contact with medium conform to EC regulation 1935/2004 Materials in contact with medium conform to FDA (optional)
	<b>Drinking water</b> Suitable for use with drinking water according to KTW, W270 (optional)
	<b>Oxygen</b> Suitable for use with gaseous oxygen (optional)
 	<b>Explosion proof</b> As category 3 device suitable for zone 2/22 (optional)  <b>ATEX</b> <ul style="list-style-type: none"> <li>• II 3G Ex ec IIC T4 Gc</li> <li>• II 3D Ex tc IIIC T135 °C Dc</li> </ul> <b>IECEX</b> <ul style="list-style-type: none"> <li>• Ex ec IIC T4 Gc</li> <li>• Ex tc IIIC T135 °C Dc</li> </ul>
	<b>Safety requirements</b> UL-listed cULus Cert. No. 238179 (optional) (only AG2)
	<b>Detergent resistance</b> Material compatibility tested with common Ecolab products and certified according to Ecolab test method: R&D/P3-E No. 40 - 1
<b>Standards</b>	<b>Description</b>
	Field device for integration into the EDIP platform via Bürkert system bus (büS)

### 3. Materials

#### 3.1. Bürkert resistApp



#### Bürkert resistApp – Chemical resistance chart

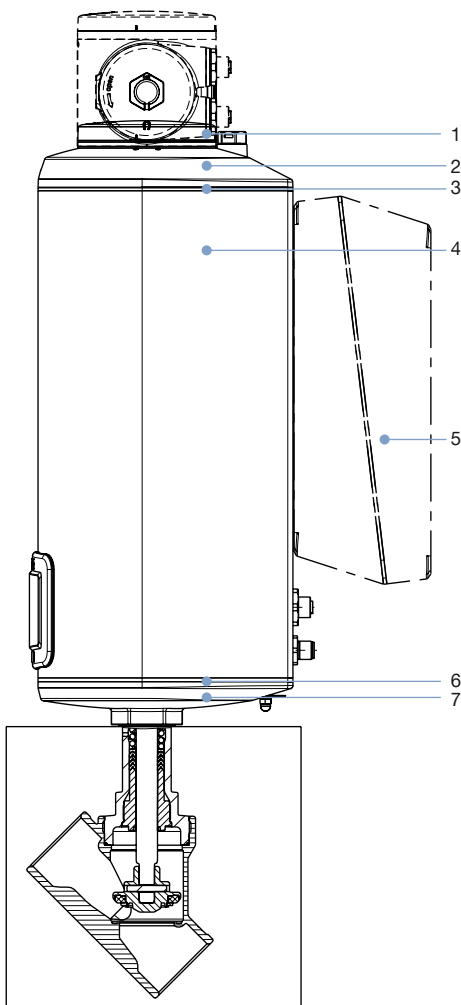
You want to ensure the reliability and durability of the materials in your individual application case? Verify your combination of media and materials on our website or in our resistApp.

[Start chemical resistance check](#)

#### 3.2. Material specifications

**Note:**

The Type 3320 angle seat valve is supplied with various port connections (thread, welded and clamp connections). These connections are not shown. They are the same material as the valve body.



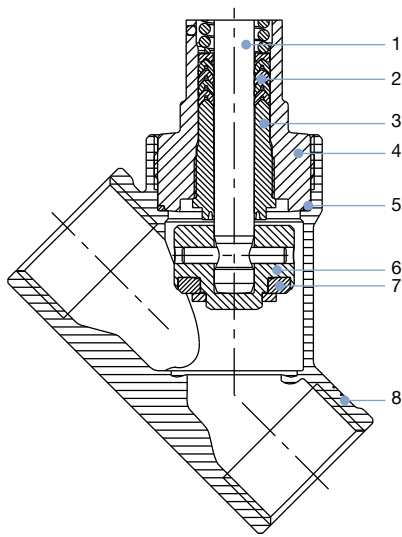
#### AG2

No.	Component	Material
1	Blind cover/Gateway housing	PPS (Standard), Stainless steel 1.4301 (for ATEX/IECEX)
2	Actuator cover	PPS
3	Seal	EPDM
4	Actuator housing	Aluminium powder coated
6	Seal	EPDM
7	Actuator base	PPS

#### AG3

No.	Component	Material
1	Blind cover/Gateway housing	PPS (Standard), Stainless steel 1.4301 (for ATEX/IECEX)
2	Actuator cover	PC
3	Seal	EPDM
4	Actuator housing	Aluminium powder coated
5	SAFEPOS energy pack	PC
6	Seal	EPDM
7	Actuator base	Stainless steel 1.4308

DTS 1000295547 EN Version: S Status: RL (released | freigegeben | valide) printed: 11.07.2023



No.	Component	Material
1	Spindle	Stainless steel 1.4401 (316) /1.4404 (316L)
2	Spindle seal	PTFE V-seals (filled) with spring compensation
3	Spindle guidance	PEEK or Stainless steel 1.4404 (316L)
4	Packing gland tube	Stainless steel 1.4401 (316)
5	Seal valve body	Graphite or PTFE
6	Swivel plate	Stainless steel 1.4401 (316)/1.4404 (316L)
7	Valve seat seal	PTFE or PEEK sealing washer
8	Valve body	Stainless steel CF3M

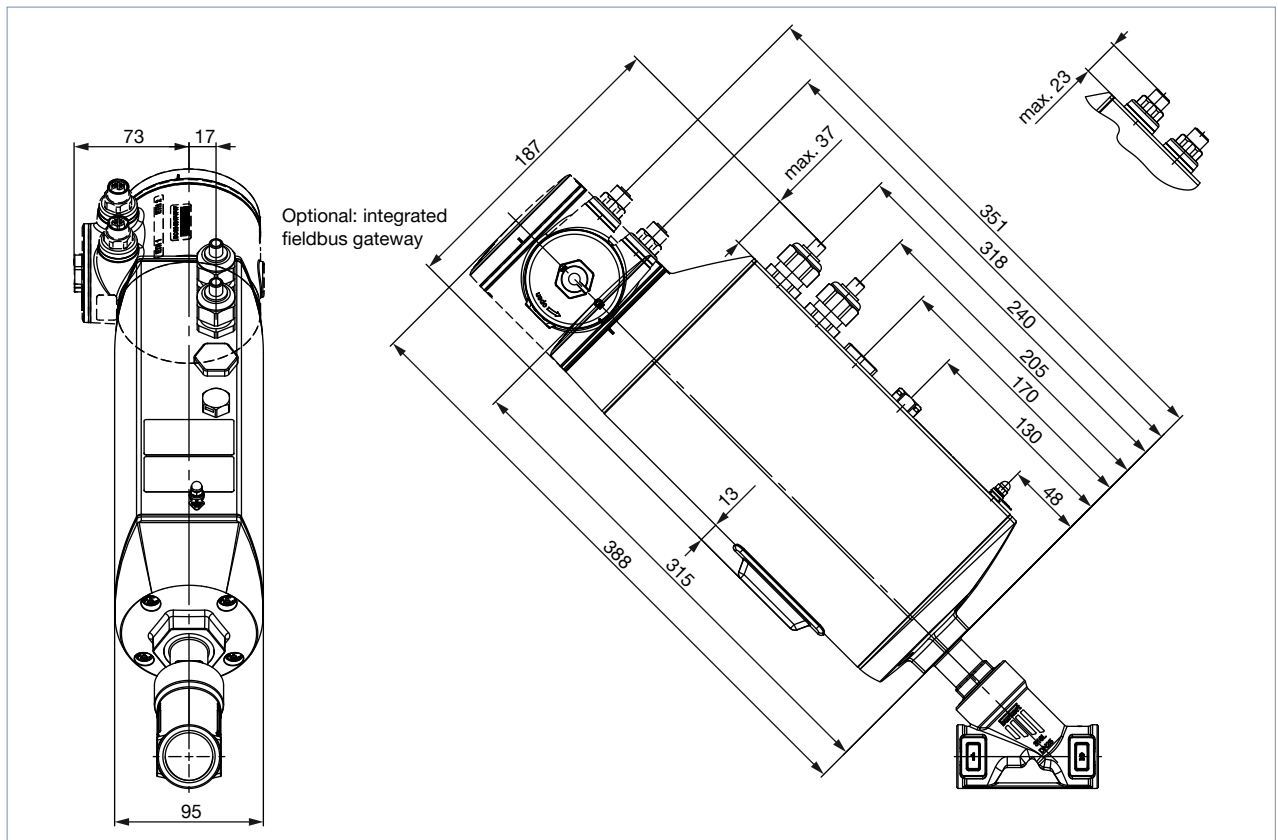
## 4. Dimensions

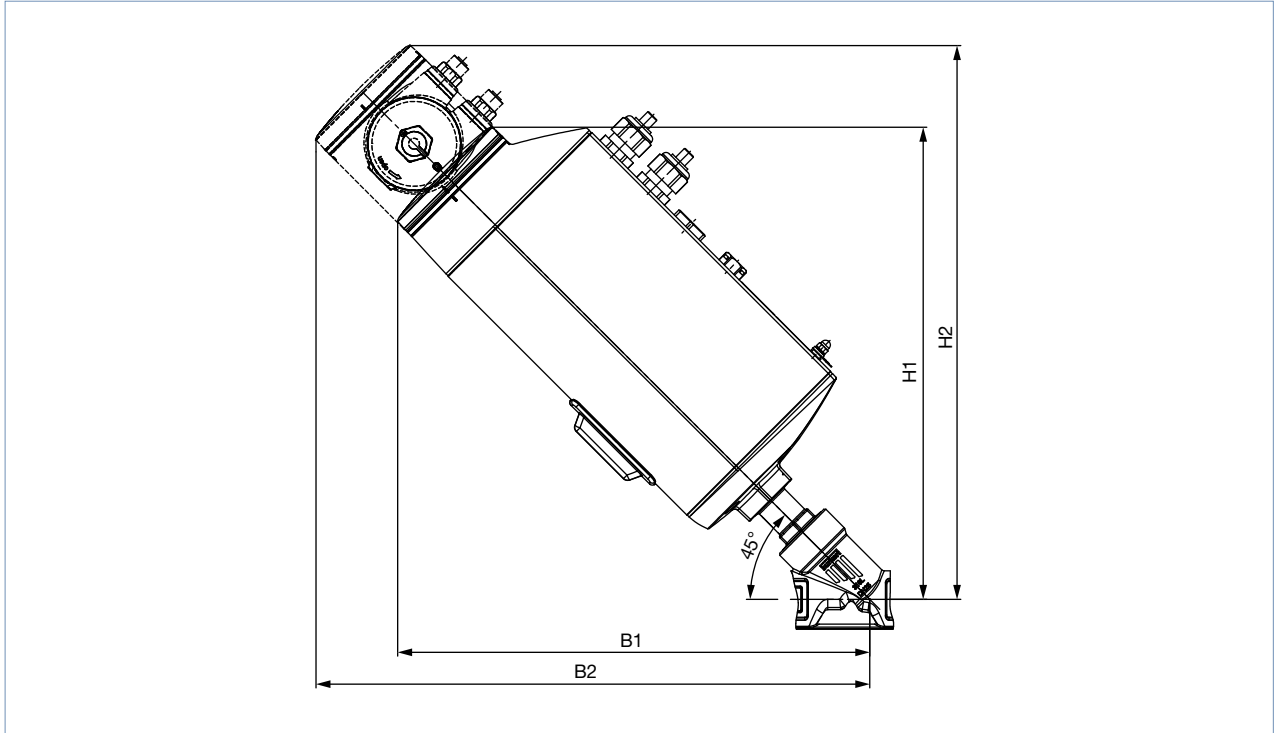
### 4.1. Actuator

#### AG2

**Note:**

Dimensions in mm, unless otherwise stated





Nominal diameter (Pipe)		Height/Width <sup>1.)</sup>	
DN	NPS	H1/B1 Standard version	H2/B2 <sup>2.)</sup> Fieldbus version (KOMM ≠ G, N, L)
15	1/2	311	362
20	3/4	319	369
25	1	321	372
32	1 1/4	330	381
40	1 1/2	333	384
50	2	367	418

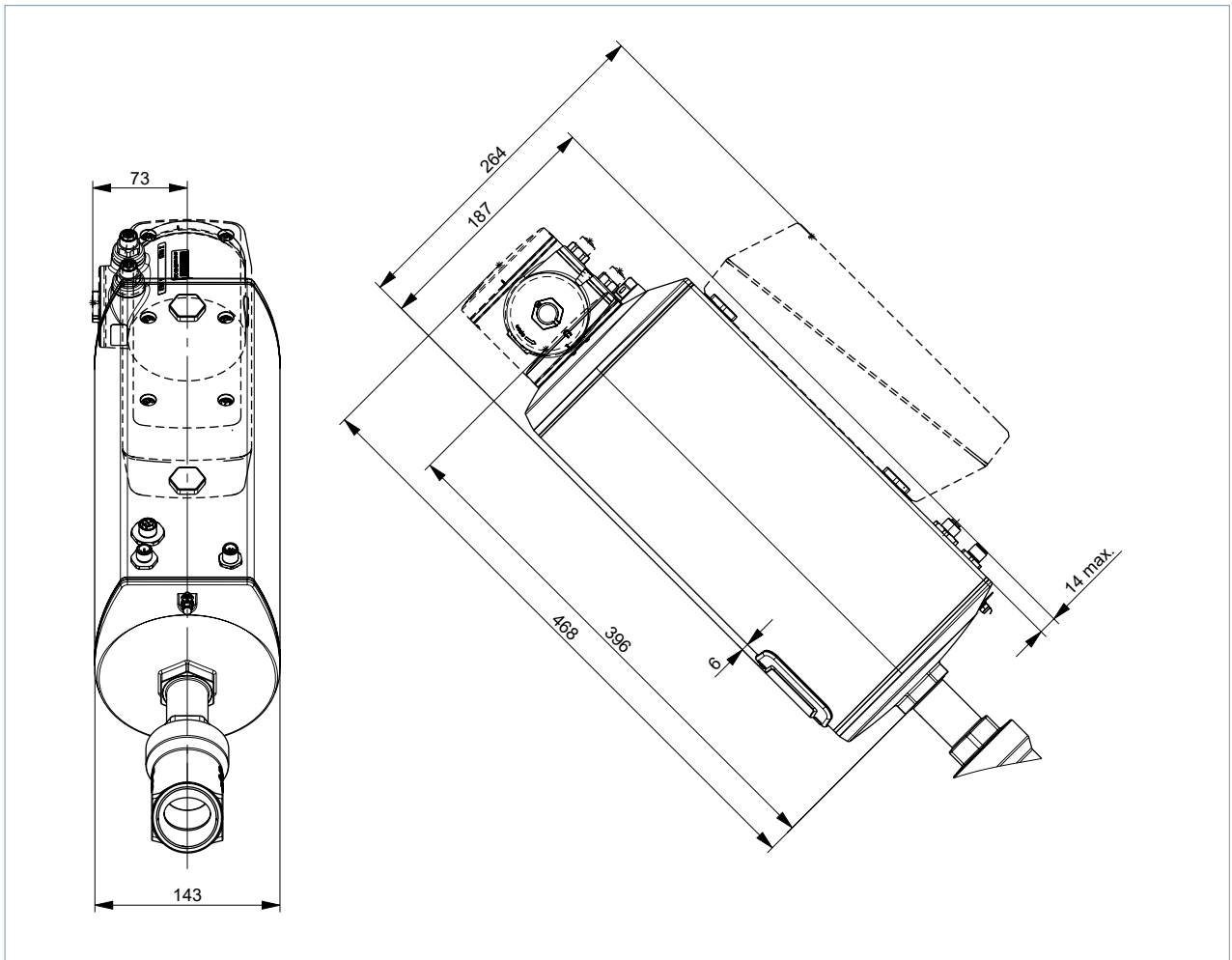
1.) Dimensions without tight-closing function: in closed position the actuator additionally lifts by approx. 2 mm. Body with threaded connection.

2.) Optional: integrated fieldbus gateway

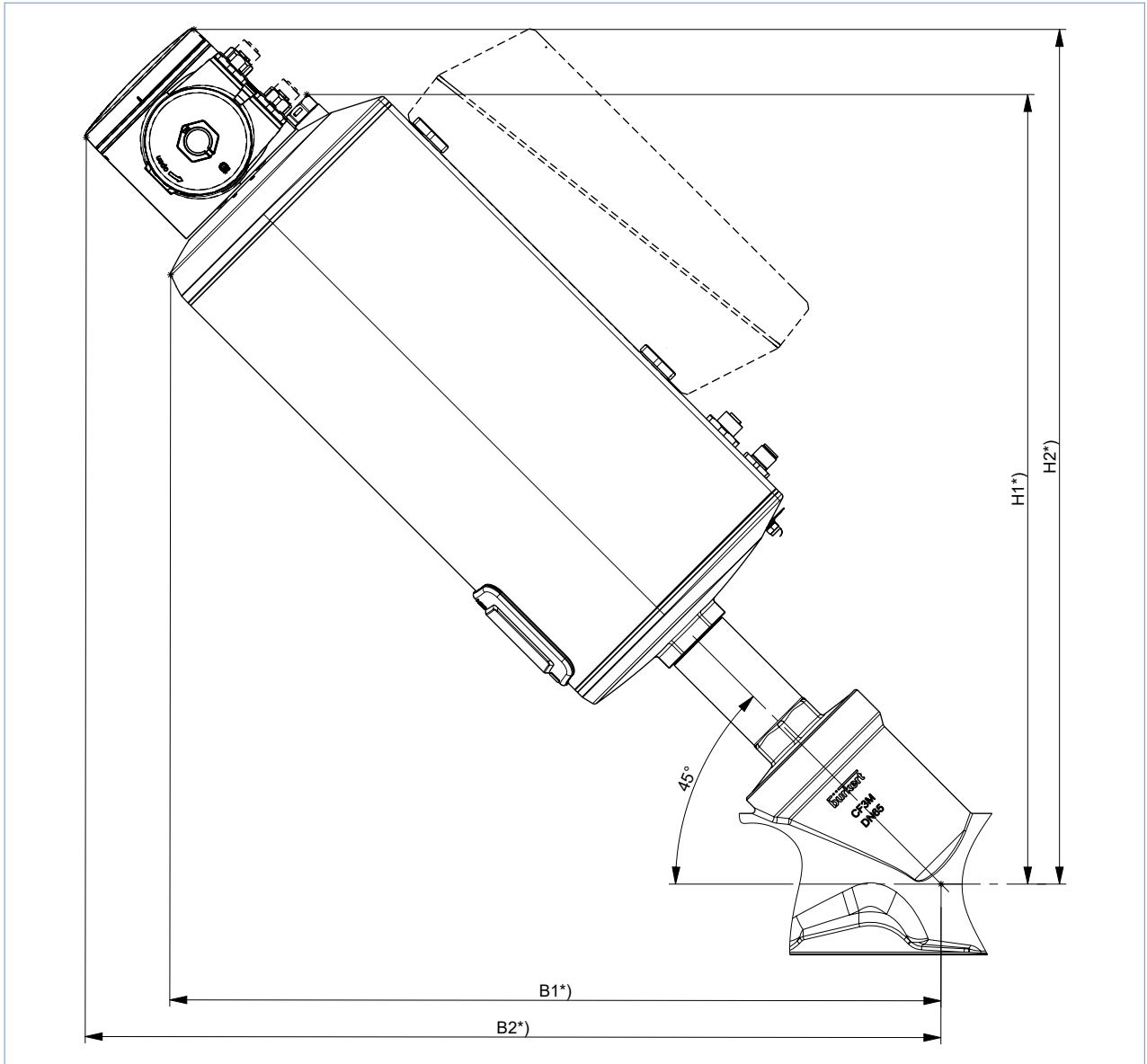
AG3

Note:

Dimensions in mm, unless otherwise stated







Nominal diameter (Pipe)		Height/Width <sup>1.)</sup>	
DN	NPS	H1/B1 Standard version	H2/B2 <sup>2.)</sup> Fieldbus version (KOMM ≠ G, N, L)
40	1½	439	479
50	2	454	494
65	2½	467	507

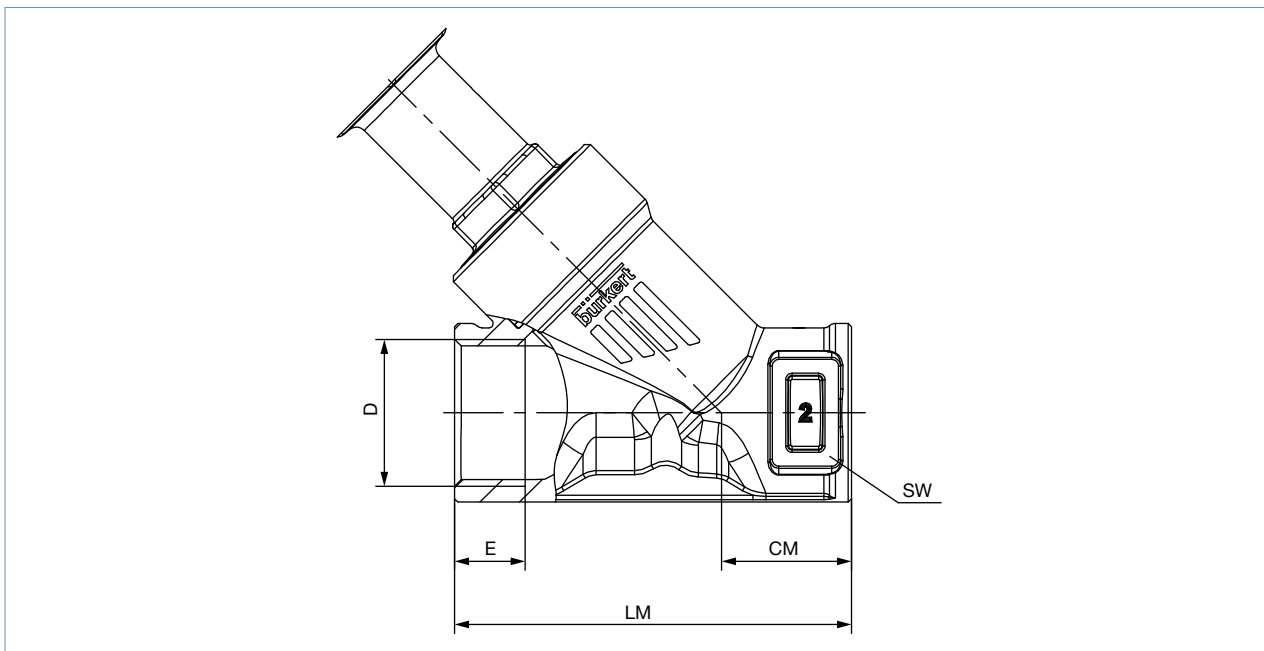
1.) Dimensions without tight-closing function: in closed position the actuator additionally lifts by approx. 2 mm. Body with threaded connection.

2.) Optional: integrated fieldbus gateway

### 4.2. Body with threaded connection

**Note:**

Dimensions in mm, unless otherwise stated



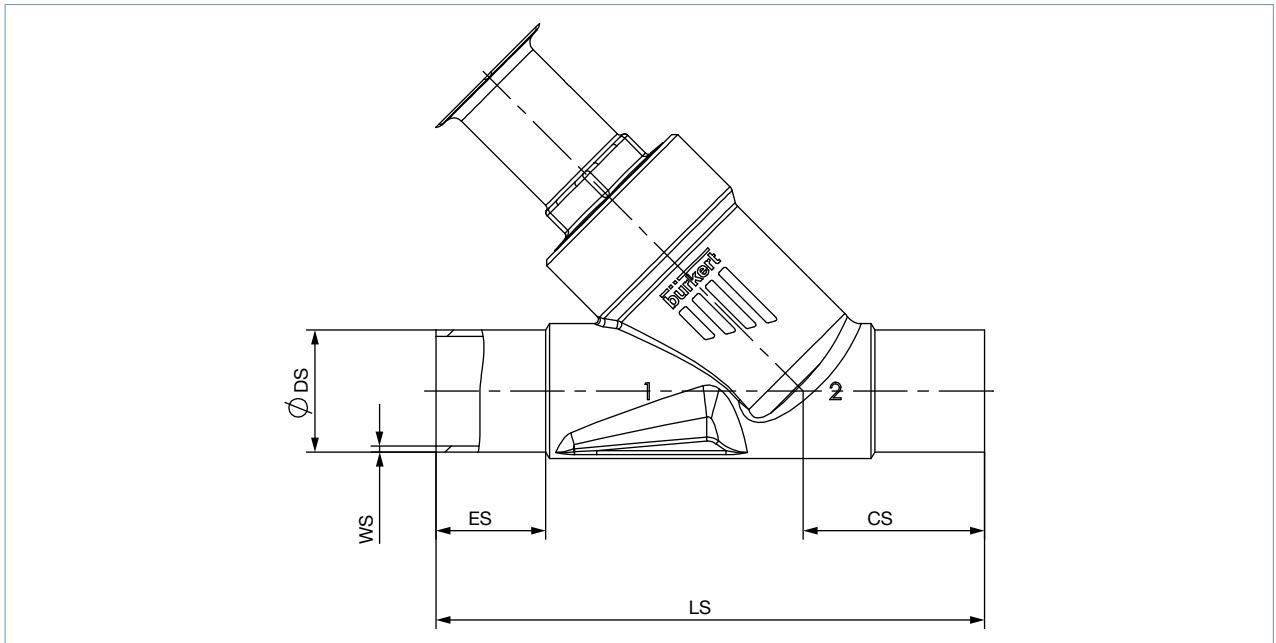
Nominal diameter (Pipe)	G (DIN ISO 228 - 1), NPT (ASME B 1.20.1), Rc (ISO7 - 1)					CM	LM	SW
	D	E	G	NPT	Rc			
DN	NPS							
15	1/2	14	13.7	13.2	24	65	27	
20	3/4	16	14.0	14.5	27	75	34	
25	1	18	16.8	16.8	29.5	90	41	
32	1 1/4	16	17.3	19.1	36	110	50	
40	1 1/2	18	17.3	19.1	35	120	55	
50	2	24	17.6	23.4	45	150	70	
65	2 1/2	26	23.7	26.7	57	185	85	
80	3	28	30.5	29.8	71	220	100	

DTS 1000295547 EN Version: S Status: RL (released | freigegeben | valide) printed: 11.07.2023

### 4.3. Body with welded connection

**Note:**

Dimensions in mm, unless otherwise stated

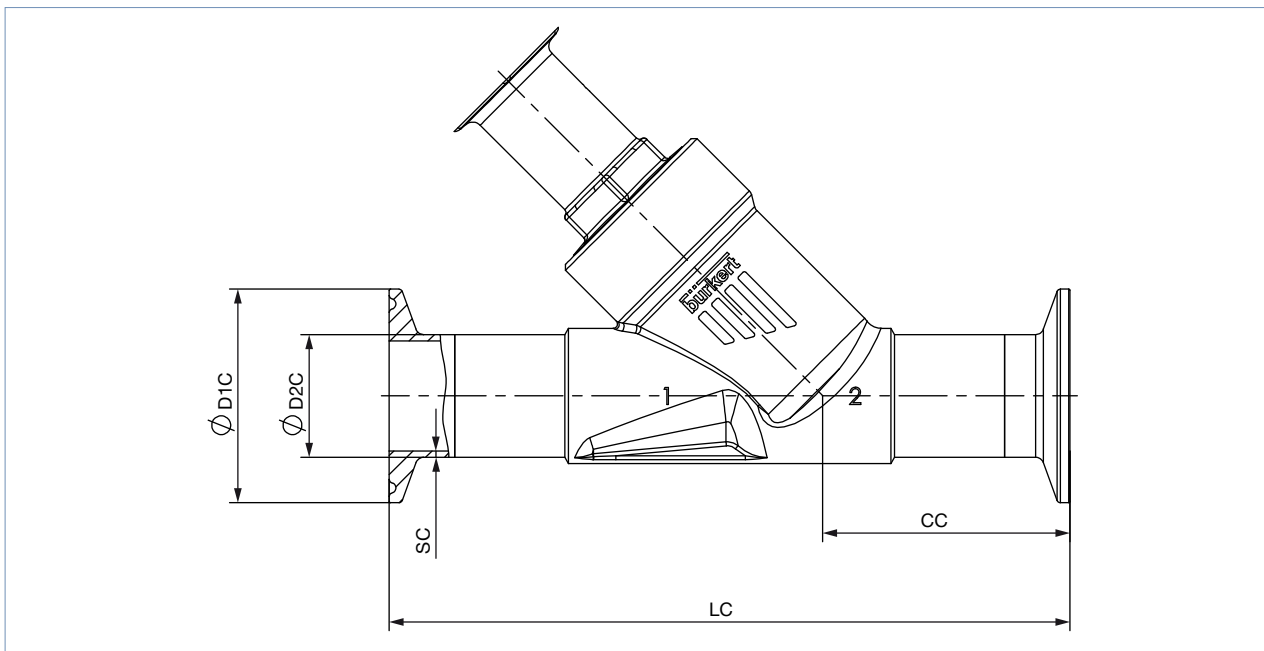


Nominal diameter (Pipe)	DIN EN ISO 1127 ISO 4200 DIN 11866 B					DIN 11850 2 DIN 11866 A				
	ES	CS	LS	ØDS	WS	ES	CS	LS	ØDS	WS
15	19	34	100	21.3	1.6	19	34	100	19	1.5
20	20	39	115	26.9	1.6	20	39	115	23	1.5
25	26	43	130	33.7	2.0	26	43	130	29	1.5
32	26	45	145	42.4	2.0	26	45	145	35	1.5
40	26	49	160	48.3	2.0	26	49	160	41	1.5
50	26	50	175	60.3	2.0	26	50	175	53	1.5
65	26	50	210	76.1	2.0 (2.3)	26	50	210	70	2

Nominal diameter (Pipe)	ASME BPE DIN 11866 C				
NPS	ES	CS	LS	ØDS	WS
½	30	46	135	12.7	1.65
¾	30	52	145	19.05	1.65
1	30	51	152	25.4	1.65
1½	30	60	182	38.1	1.65
2	30	64	210	50.8	1.65
2½	26	56	230	63.5	1.65

### 4.4. Body with clamp connection

**Note:**  
Dimensions in mm



Nominal diameter (pipe)	Clamp: DIN 32676 B Pipe: EN ISO 1127 1 / ISO 4200 / DIN 11866 B					Clamp: DIN 32676 A (DN 15 similar DIN 32676 B) Pipe: DIN 11850 2 / DIN 11866 A				
	LC	CC	ØD C	ØD2 C	SC	LC	CC	ØD1 C	ØD2 C	SC
15	156	49.0	50.5	21.3	1.6	130	49.5	34.0	19	1.5
20	150	56.5	50.5	26.9	1.6	150	57.0	34.0	23	1.5
25	160	58.0	50.5	33.7	2.0	160	58.5	50.5	29	1.5
32	200	57.5	50.5	42.4	2.0	180	58.0	50.5	35	1.5
40	200	69.0	64.0	48.3	2.0	200	69.5	50.5	41	1.5
50	230	77.5	77.5	60.3	2.6	230	78.0	64.0	53	1.5
65	265	77.5	91	76.1	2.0	265	78	91	70	2.0

Nominal diameter (pipe)	Clamp: ASME BPE Pipe: ASME BPE / DIN 11866 C				
	LC	CC	ØD1 C	ØD2 C	SC
½	130	49.0	25.0	12.7	1.65
¾	150	56.5	25.0	19.05	1.65
1	160	58.0	50.5	25.4	1.65
1½	200	69.0	50.5	38.1	1.65
2	230	77.5	64.0	50.8	1.65
2½	286	83	77.5	63.5	1.65

DTS 1000295547 EN Version: S Status: RL (released | freigegeben | valide) printed: 11.07.2023

## 5. Performance specifications

### 5.1. Fluidic data

#### Overview of flow characteristics with flow below seat

##### Note:

- $K_v$  value [m<sup>3</sup>/h]: Measured with water acc. to DIN EN 60534-2-4
- Operating limits, see [“5.2. Operating limits” on page 14](#)

Nominal diameter (Pipe)		Actuator force <sup>1.)</sup> [N]	Operating pressure		$K_v$ value [m <sup>3</sup> /h]
DN	NPS		Seat seal		
			PTFE (up to +130 °C)	PEEK (up to +230 °C)	
			[bar(g)]		
15	1/2 <sup>2.)</sup>	1300	25	25	5
20	3/4 <sup>2.)</sup>				11
25	1 <sup>2.)</sup>				18
32	1 1/4 <sup>2.)</sup>	1300	16	16	31
		2500	25	25	
40	1 1/2 <sup>2.)</sup>	1300	10	10	42
		2500	18	18	
		7700	–	25	
50	2 <sup>2.)</sup>	1300	6	6	62
		2500	10	10	
		7700	–	25	
65	2 1/2 <sup>2.)</sup>	10000	–	25	95
80	3 <sup>2.)</sup>	10000	–	17	140

1.) AG2: Actuator size 2 with a nominal force of 1300 or 2500 N

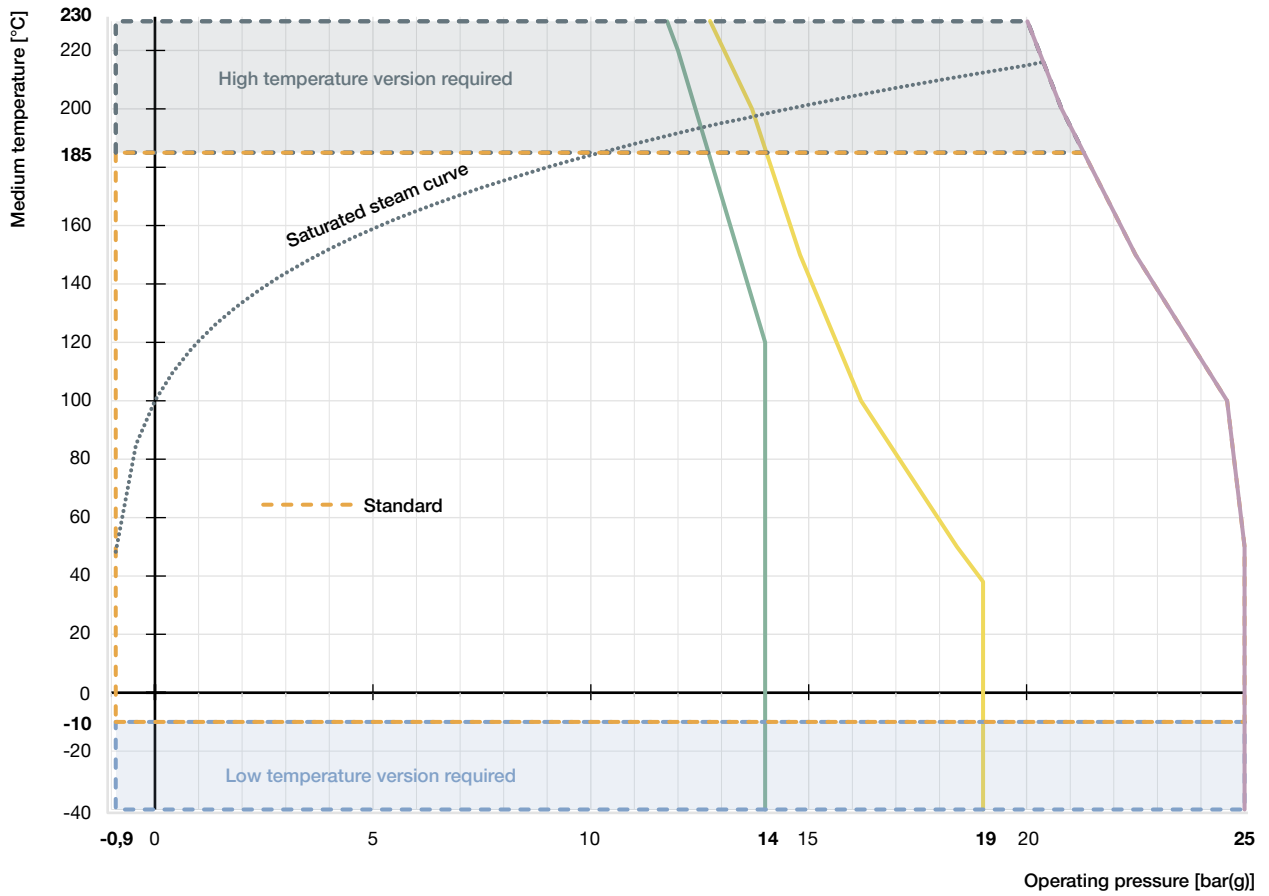
AG3: Actuator size 3 with a nominal force of 7700 or 10000 N

2.) Deviation for line connections according to ASME BPE: the next larger nominal connection size is used, e.g. NPS 1 instead of NPS 3/4

## 5.2. Operating limits

### Operating limits for medium temperature and operating pressure

The operating range of Bürkert process valves is in addition to the maximum operating pressures limited by the nominal pressure according to the relevant standard.

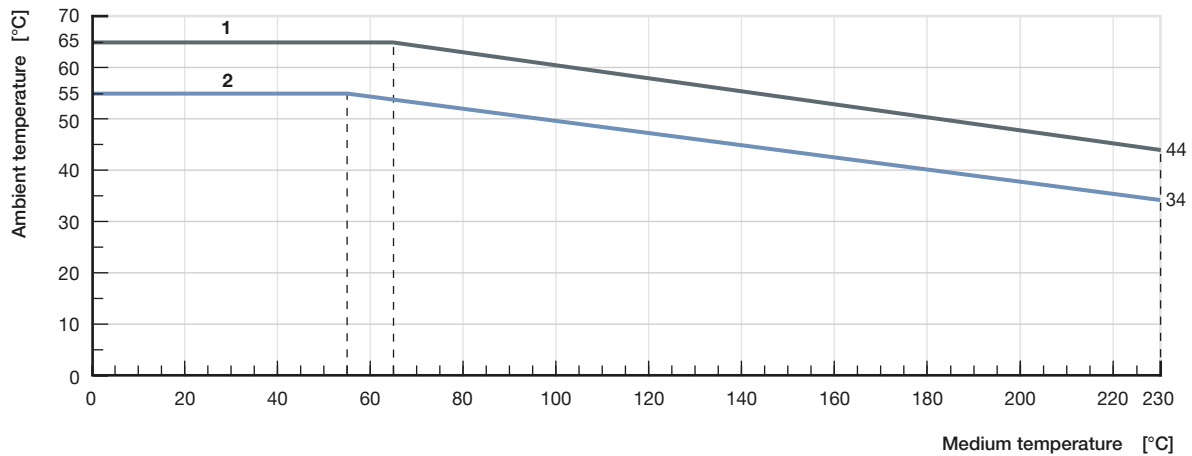


- Operating limits for PN25 acc. to DIN EN 12516-1
- Operating limits for flange 10K acc. to JIS B 2220
- Operating limits for Class 150 acc. to ASME B16.34
- ..... Saturated steam curve for water

**Operating limits for ambient and medium temperature**

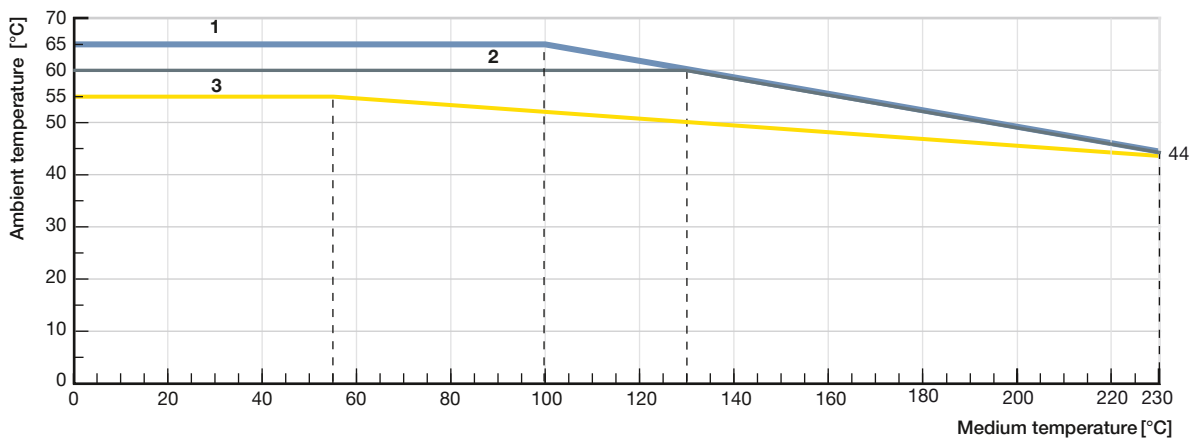
The maximum permissible temperature for the environment and the medium are dependent on each other. The maximum allowable temperature curves of different device variants can be seen in the temperature chart. The curves were determined for maximum operating conditions (max. operating pressure and motor power). For deviating operating conditions an individual verification can be performed. Please contact your Bürkert office for more information.

**AG2**



No.	Description
1	Device without module
2	Device with SAFEPOS energy-pack or fieldbus gateway

**AG3**



No.	Description
1	Device without module
2	Device with SAFEPOS energy-pack
3	Device with fieldbus gateway

DTS 1000295547 EN Version: S Status: RL (released | freigegeben | valide) printed: 11.07.2023

**Operating limits for seat seal**

PTFE is used for max. medium temperature < 130 °C. If the maximum medium temperature temporarily or permanently exceeds 130 °C, then PEEK as a seal material is the appropriate solution.

**Operating limits for optional versions**

**High temperature version**

By adapting the spindle sealing this version is suitable for applications with steam, neutral gases and other heat transfer mediums up to 230 °C.

**Drinking water version**

Materials in contact with the medium are tested for suitability with drinking water up to 85 °C.

**Vacuum version**

Without leakage bore, this design is suitable for pressures down to -0.9 bar(g).

**Low temperature version**

Suitable for minimum medium temperatures down to -40 °C

**Version for oxygen**

Non-metallic materials in contact with the medium are tested for suitability with oxygen. Suitable for operating pressures up to 20 bar(g) and medium temperatures up to 60 °C.

**5.3. Electrical control and interfaces**

**Interface diagram**

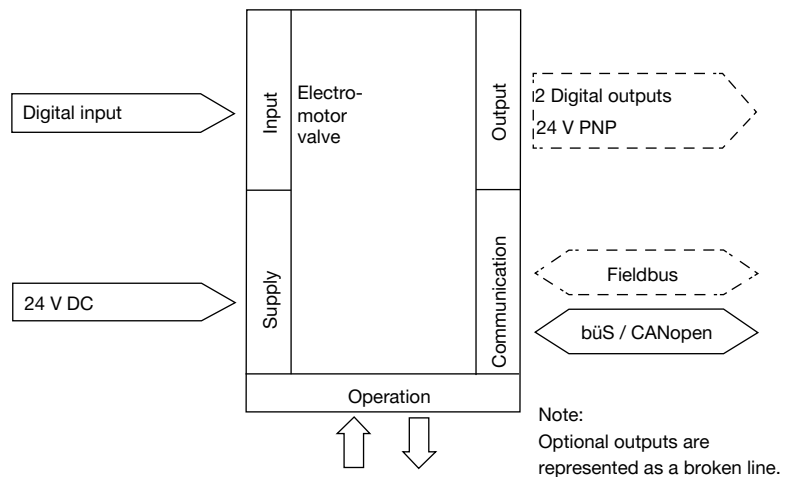
The position of the actuator is controlled according to the digital input. The selection is made either by an external standard signal or via a fieldbus (digital).

**Inputs and outputs:**

- 1 digital input, 2 digital outputs

**Interface:**

- Cable gland with connection terminal (only AG2)
- M12 circular plug-in connectors (optional)



Control data	
Digital input	0...5 V = log "0", 10...30 V = log "1" inverted input reversed accordingly
Digital output (optional)	Current limitation 100 mA
Communication	
Communication interface (bUS)	Connection to PC via USB bUS interface set (connection terminals, circular plug-in connector or bUS service interface)
Communication software (bUS)	Bürkert Communicator, see <b>Type 8920</b> ▶

DTS 1000295547 EN Version: S Status: RL (released | freigegeben | valide) printed: 11.07.2023



## 6. Product design and assembly

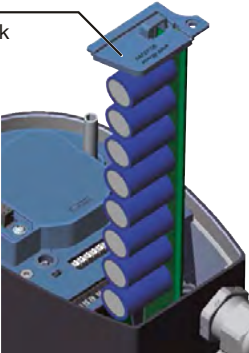
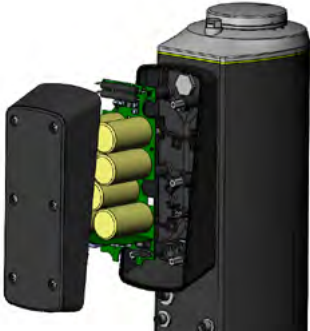
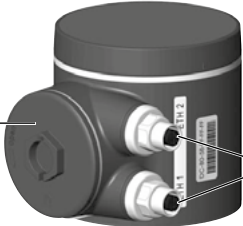
### 6.1. Product features

**Note**

More detailed information can be found in the **operating instructions Type 3320** ▶.

<p><b>User interface</b></p> <p>The basic functions are operated by 4 DIP switches and 2 push buttons. These are located under the blind cover which can be removed manually by turning. Through the būs service access, the device can also be configured in detail with the Bürkert communicator software. For this, the optional USB-būs interface kit is required.</p>	<p><b>Blind cover dismantled</b></p>
<p><b>Actuation</b></p> <p><b>Mechanical manual control:</b> The manual override for mechanical movement of the valve is located for AG2 under the blind cover or display module and for AG3 under the pressure compensation element. It ensures that the actuator can be operated even if the power supply fails.</p> <p><b>Electrical control via operating elements:</b> The electrical manual override for the procedure is carried out via two buttons under the blind cover.</p>	
<p><b>Display elements</b></p> <p><b>Display:</b> 360° LED light ring: A clearly visible 360° LED ring is attached to the blind cover or display module to indicate the device status, the valve end position and the operating status. The LED light ring lights up, blinks or flashes into one or changing colours, depending on the LED mode set</p> <p><b>Mechanical position indicator:</b> The mechanical position indicator shows the current valve position even if the supply voltage fails.</p>	
<p><b>Data transmission (optional)</b></p> <p><b>SIM card (optional):</b> With the optionally available SIM card, device-specific values and user settings can be stored and quickly transferred to another device.</p>	
<p><b>būs service interface:</b> The būs service interface connects the device with the Communicator software on a PC, laptop or smartphone. From there a configuration of the device or error diagnosis can be carried out.</p>	<p>būs service interface Connection for CAN adapter or USB-būs interface set</p>

DTS 1000295547 EN Version: S Status: RL (released | freigegeben | validé) printed: 11.07.2023

Safety position via energy storage (optional)	AG2	AG3
<p>The safety starting positions in case of power interruption is realized with the optional energy storage SAFEPOS energy-pack. The desired position is set via the menu. In addition to the end positions (open/closed), any desired intermediate position can be defined here. The energy storage has a lifespan of up to 10 years, depending on the operating conditions. The power of the energy storage is monitored and a warning is displayed to indicate its life is coming to an end. The storage device is designed as a plug-in module to facilitate replacement. Without energy storage, the valve remains in the last position it was in. The energy storage device is fully charged and ready for operation after a maximum of 120 seconds (depending on the operating conditions). The energy storage device cannot be retrofitted in the field.</p>	 <p>SAFEPOS energy-pack</p>	
Fieldbus: EtherNet/IP, PROFINET, Modbus TCP (optional)		
<p>The fieldbus gateway for EtherNet/IP, PROFINET and Modbus TCP is integrated in an additional module. It has 2 fieldbus connections with 4-pin M12 circular sockets. The interfaces for the fieldbus connection and the status LEDs are located under the gateway housing cover. If there is a need for it to be include in a network then the configuration of the Ethernet can be performed via the web server. The gateway cannot be retrofitted in the field.</p>	 <p>Fieldbus gateway</p> <p>Fieldbus M12 connection (2 Port Ethernet Switch)</p>	

DTS 1000295547 EN Version: S Status: RL (released | freigegeben | valide) printed: 11.07.2023

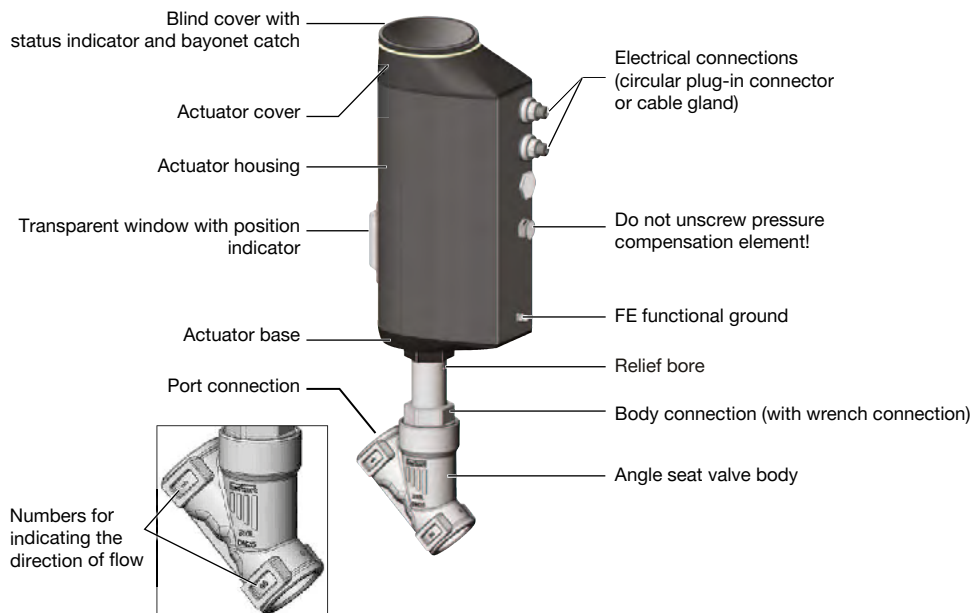
## 6.2. Product assembly

The electromotive linear drive consists of a brushless DC motor, a gear and a spindle system that transmits the force to the pendulum plate. The integrated control electronics are controlled either via standard signals (digital) or via a fieldbus (digital). It is designed to provide optimum efficiency. At the same time, it keeps the valve sealed and in position even at the maximum specified medium pressure in a powerless standstill. An optional energy storage device (SAFEPOS energy-pack) is available for the device. If the supply voltage fails, it supplies the actuator with the energy required to move the valve into the desired position; this is set in the menu. The valve position can be changed manually in 2 ways. Either via the electrical manual control or via a mechanical manual control if no supply voltage is available.

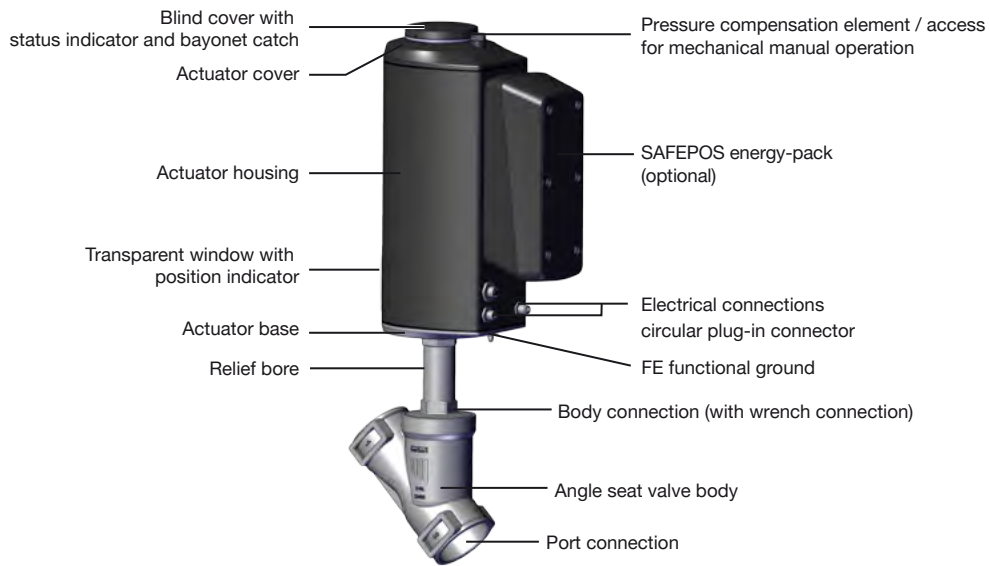
The device can be set and operated via 2 capacitive keys and 4 DIP switches. In addition there is always the possibility to operate the device via the bÜS service interface and using the "Bürkert Communicator" software.

The intelligent process valve Type 3320 offers the operator options for process monitoring, valve diagnostics and preventive maintenance. Internal measurements of the operating status are evaluated and issued as warnings or error messages, if necessary. These indicate, for example, impermissible ambient and process conditions, functional deviations of components or the status of the energy storage device.

### AG2



AG3



## 7. Ordering information

### 7.1. Bürkert eShop



#### Bürkert eShop – Easy ordering and quick delivery

You want to find your desired Bürkert product or spare part quickly and order directly? Our online shop is available for you 24/7. Sign up and enjoy all the benefits.

[Order online now](#)

### 7.2. Bürkert product filter



#### Bürkert product filter – Get quickly to the right product





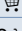
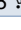
You want to select products comfortably based on your technical requirements? Use the Bürkert product filter and find suitable articles for your application quickly and easily.

[Try out our product filter](#)

DTS 1000295547 EN Version: S Status: RL (released | freigegeben | valide) printed: 11.07.2023

### 7.3. Ordering chart accessories


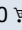

#### Standard accessories

Description	Article no.
SIM card for data transmission between devices	291773 
Holding device for port connection DN 15...40	693770 
Holding device for port connection DN 50	693771 
Plastic blind cover	277881 
Energy storage SAFEPOS energy-pack (AG2)	285834 
Energy storage SAFEPOS energy-pack (AG3)	20046438 

#### Accessories cable

##### Note:




For connection to a bus/CANopen network see [cabling guide](#) ►.

Description	Article no.
Connection cable with M12 socket, 4-pin, (length 5 m) for operating voltage (without communication)	918038 
Connection cable with M12 socket, 5-pin, L coded (length 5 m) for operating voltage AG3 (without communication)	20010840 
Connection cable with M12 socket, 8-pin, (length 2 m) for input and output signals	919061 


#### Bürkert accessories

##### Note:

- For connection to a bus/CANopen network see [cabling guide](#) ►.
- Detailed accessory tables can be found in the cabling guide.

Description	Article no.
Software Bürkert Communicator, Type 8920	<b>Type 8920</b> ►
büS stick set 1 (including power supply unit, bus-stick, terminating resistor, Y-distributor, 0.7 m cable with M12 connector)	772426 
büS stick set 2 (including bus-stick, terminating resistor, Y-distributor, 0.7 m cable with M12 connector)	772551 
büS adapter for büS interface set (M12 on büS service interface Micro-USB)	773254 

### 7.4. Bürkert Product Enquiry Form



#### Bürkert Product Enquiry Form – Your enquiry quickly and compactly

Would you like to make a specific product enquiry based on your technical requirements? Use our Product Enquiry Form for this purpose. There you will find all the relevant information for your Bürkert contact. This will enable us to provide you with the best possible advice.

[Fill out the form now](#)

# Bürkert – Close to You

For up-to-date addresses  
please visit us at  
[www.burkert.com](http://www.burkert.com)

DTS 1000295547 EN Version: S Status: RL (released | freigegeben | validé) printed: 11.07.2023

Austria  
Belgium  
Czech Republic  
Denmark  
Finland  
France  
Germany  
Italy  
Netherlands

Norway  
Poland  
Spain  
Sweden  
Switzerland  
Turkey  
United Kingdom

